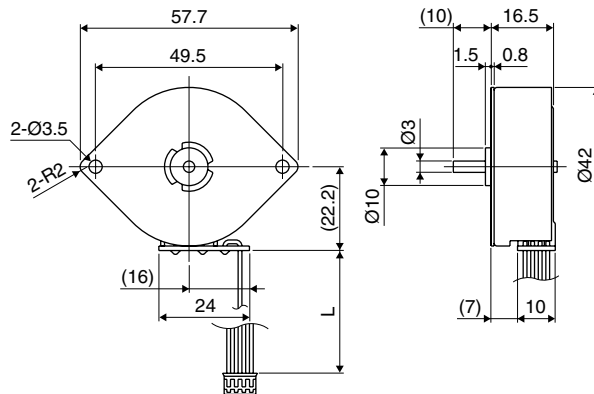


Dimensions

High Speed PM Stepper Motor



PM Motor

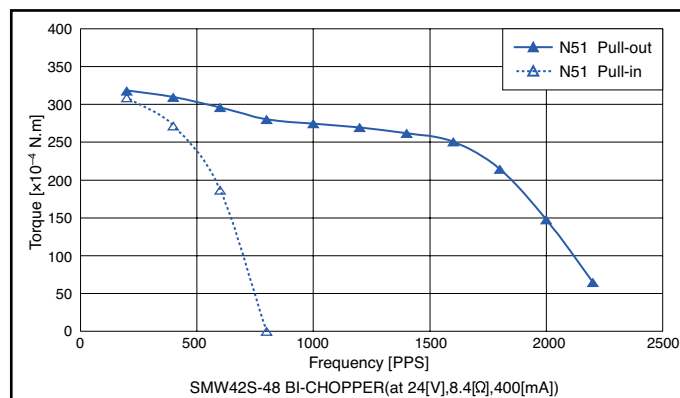
*Please contact our sales for inventory and lot information. Specification may be changed without notice.

Reference Characteristics

Motor Size	SMW42S-48
Number of Steps per Rotation	48(7.5°/Step)
Drive Method	2-2 Phase
Drive Circuit	Bipolar Const. Curr.
Drive Voltage	24 [V]
Current/Phase	400 [mA]
Coil Resistance/Phase	8.4 [Ω]
Drive IC	MTD2003
Magnet Material	Nd-Fe-B bonded magnet (N51)
Insulation Resistance	100M [Ω] MIN
Dielectric Strength	AC 500 [V] 1 [min]
Class of Insulation	CLASS E (except lead wire)
Operating Temperature	-10[°C] ~ 50 [°C]
Storage Temperature	-30 [°C] ~ 80 [°C]
Operating Humidity	5 [%] RH ~90 [%] RH

*Bipolar only. Unipolar is not available.

Torque Characteristics



These torque values are reference only. Heat radiation conditions and temperature rise effect by duty are different on each equipment, therefore please select motors after considering the actual equipment.

Applications

- OA Equipment: Printers/ Scanners