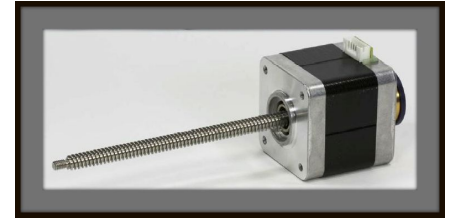
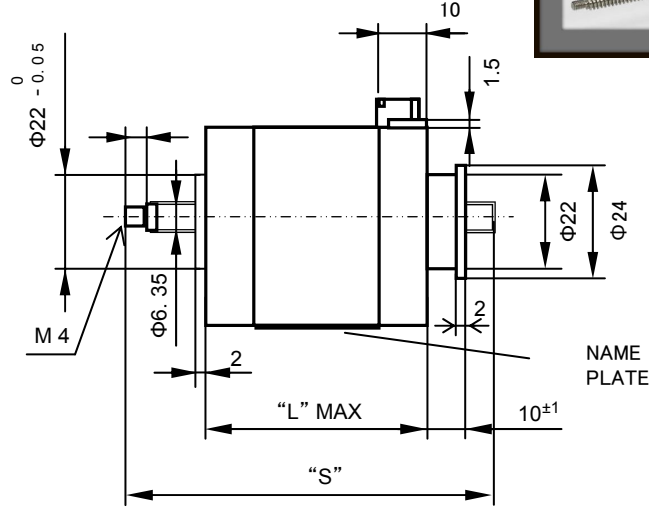
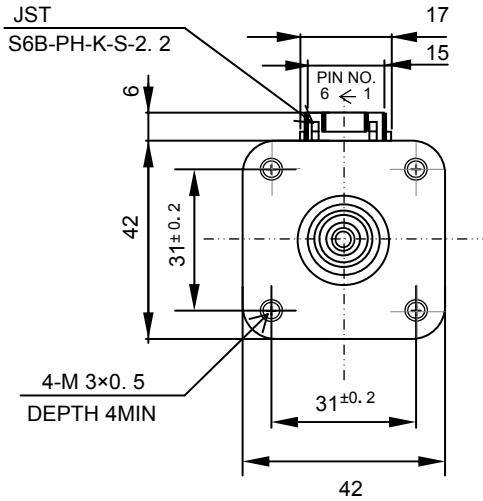


Outline



1.8° Hybrid

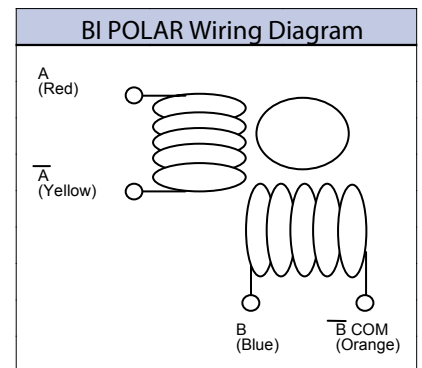
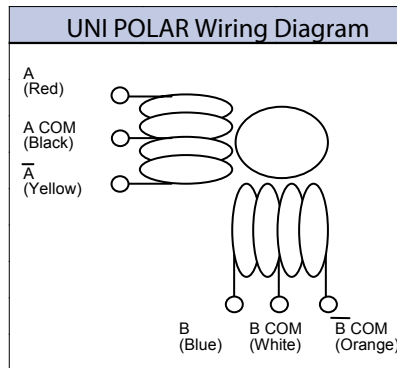
	"L"
T17PMK7XX**	26 (1.02)
T17PMK2XX**	30 (1.18)
T17PMK0XX**	34 (1.34)
T17PMK3XX**	38 (1.50)
T17PMK1XX**	42 (1.65)
T17PMK4XX**	48 (1.89)

General Specifications

Step Accuracy: ±5%
Temperature Rise: 80°C MAX
Ambient Temperature Range: -20 °C ~ +50°C
Insulation Resistance: 100MΩ MIN. DC500V
Class: 'B', 130°C
Dielectric Strength: AC500V 1min
Radial Play: 20μm MAX. (at 4.4N {450gf} [Load])
End Play: 80μm MAX. (at 4.4N {450gf} [Load])

PIN NO. vs. PHASE

PHASE	A	A COM	\bar{A}	B	B COM	\bar{B}
PIN NO.	4	5	6	3	2	1



Specifications

Model	Motor Size (mm)	Step Angle (deg)	Drive Sequence	Rated Current (A)	Resistance (Ohms)	Holding Torque (mNm)	Inductance (mH)	Rotor Inertia (g·cm ²)	Mass (g)
T17PMK749U	□42×26	1.8	UNI-POLAR	0.9	2.2	55	1.9	20	150
T17PMK249U	□42×30	1.8	UNI-POLAR	0.8	2.7	110	2.6	35	180
T17PMK049U	□42×34	1.8	UNI-POLAR	1.0	3.1	190	4.0	49	200
T17PMK342U	□42×38	1.8	UNI-POLAR	1.4	2.0	275	2.9	63	250
T17PMK142U	□42×42	1.8	UNI-POLAR	1.4	2.3	310	2.9	70	300
T17PMK442U	□42×48	1.8	UNI-POLAR	1.4	2.8	370	4.1	90	350
T17PMK749B	□42×26	1.8	BI-POLAR	0.6	4.4	65	7.3	20	150
T17PMK249B	□42×30	1.8	BI-POLAR	0.6	5.4	155	10.0	35	180
T17PMK049B	□42×34	1.8	BI-POLAR	0.7	6.2	250	15.3	49	200
T17PMK342B	□42×38	1.8	BI-POLAR	0.9	4.0	330	11.2	63	250
T17PMK142B	□42×42	1.8	BI-POLAR	1.0	4.6	400	11.1	70	300
T17PMK442B	□42×48	1.8	BI-POLAR	0.9	5.6	450	15.8	90	350

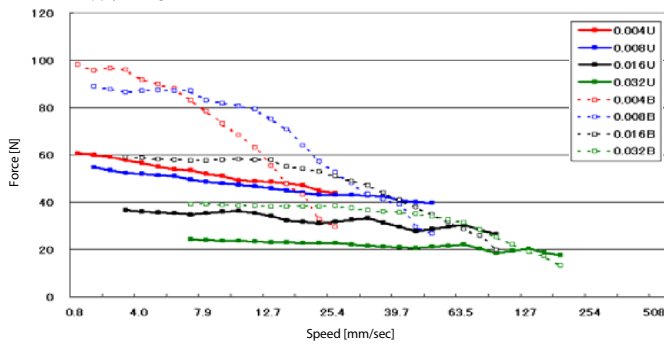
Screw Specifications - Standard Offerings

Lead Screw Length (mm)
70
90
110
130
150

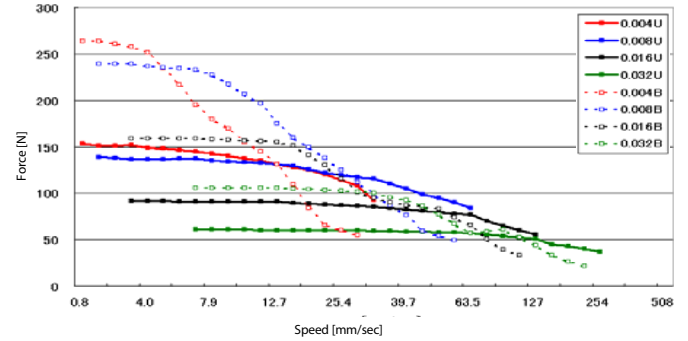
Linear Travel/Step (mm)	Screw Pitch (mm)
0.004	0.8
0.008	1.6
0.016	3.2
0.032	6.4

Torque/Speed Characteristics

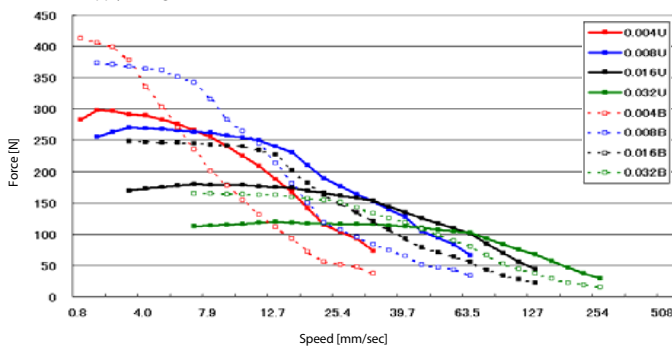
Model No: T17PMK749U & B
Driver : Chopper Dual
Supply Voltage : 24.0 (volt)



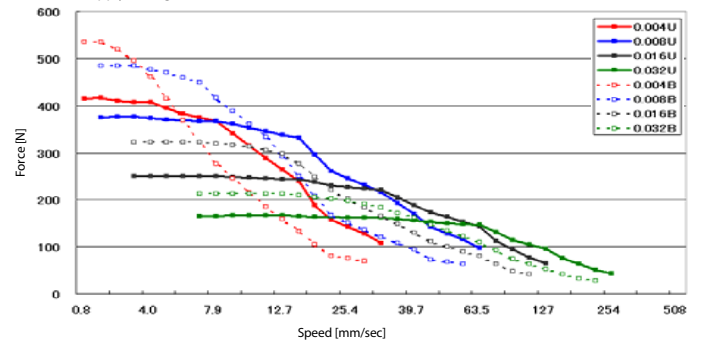
Model No: T17PMK249U & B
Driver : Chopper Dual
Supply Voltage : 24.0 (volt)



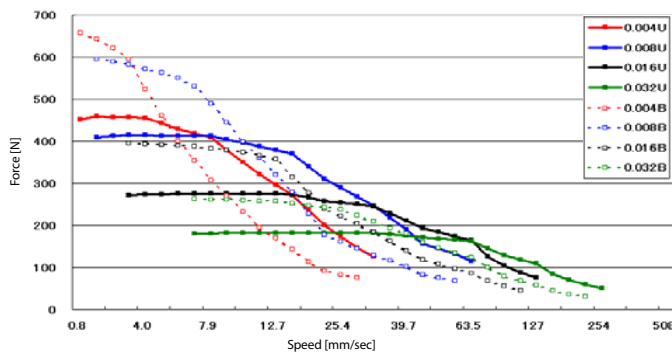
Model No: T17PMK049U & B
Driver : Chopper Dual
Supply Voltage : 24.0 (volt)



Model No: T17PMK342U & B
Driver : Chopper Dual
Supply Voltage : 24.0 (volt)



Model No: T17PMK142U & B
Driver : Chopper Dual
Supply Voltage : 24.0 (volt)



Model No: T17PMK442U & B
Driver : Chopper Dual
Supply Voltage : 24.0 (volt)

