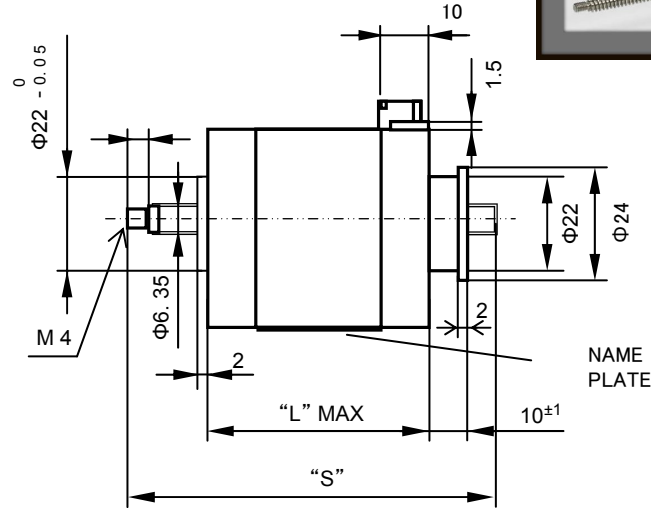
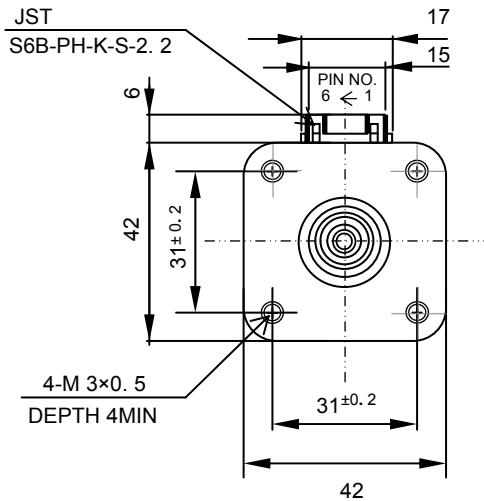
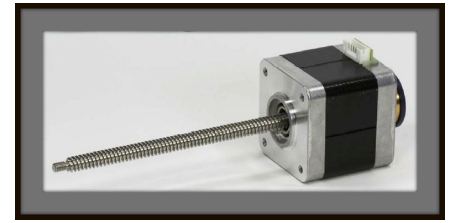


Outline



1.8° Hybrid

	"L"
T17PMK7**	26 (1.02)
T17PMK2**	30 (1.18)
T17PMK0**	34 (1.34)
T17PMK3**	38 (1.50)
T17PMK1**	42 (1.65)
T17PMK4**	48 (1.89)

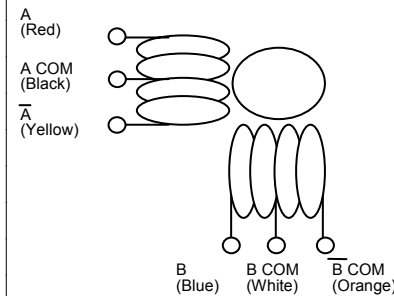
General Specifications

Step Accuracy: ±5%
Temperature Rise: 80°C MAX
Ambient Temperature Range: -20 °C ~ +50°C
Insulation Resistance: 100MΩ MIN. DC500V
Class: 'B', 130°C
Dielectric Strength: AC500V 1min
Radial Play: 20μm MAX. (at 4.4N {450gf} [Load])
End Play: 80μm MAX. (at 4.4N {450gf} [Load])

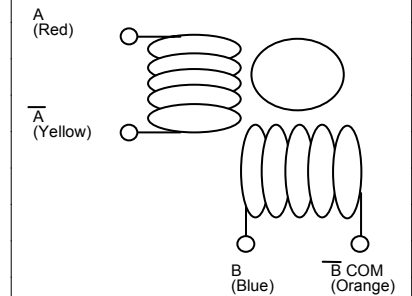
PIN NO. vs. PHASE

PHASE	A	A COM	\bar{A}	B	B COM	\bar{B}
PIN NO.	4	5	6	3	2	1

UNI POLAR Wiring Diagram



BI POLAR Wiring Diagram



Specifications

Model	Motor Size (mm)	Step Angle (deg)	Drive Sequence	Rated Current (A)	Resistance (Ohms)	Holding Torque (mNm)	Inductance (mH)	Rotor Inertia (g·cm ²)	Mass (g)
T17PMK749U	□42×26	1.8	UNI-POLAR	0.9	2.2	55	1.9	20	150
T17PMK249U	□42×30	1.8	UNI-POLAR	0.8	2.7	110	2.6	35	180
T17PMK049U	□42×34	1.8	UNI-POLAR	1.0	3.1	190	4.0	49	200
T17PMK342U	□42×38	1.8	UNI-POLAR	1.4	2.0	275	2.9	63	250
T17PMK142U	□42×42	1.8	UNI-POLAR	1.4	2.3	310	2.9	70	300
T17PMK442U	□42×48	1.8	UNI-POLAR	1.4	2.8	370	4.1	90	350
T17PMK749B	□42×26	1.8	BI-POLAR	0.6	4.4	65	7.3	20	150
T17PMK249B	□42×30	1.8	BI-POLAR	0.6	5.4	155	10.0	35	180
T17PMK049B	□42×34	1.8	BI-POLAR	0.7	6.2	250	15.3	49	200
T17PMK342B	□42×38	1.8	BI-POLAR	0.9	4.0	330	11.2	63	250
T17PMK142B	□42×42	1.8	BI-POLAR	1.0	4.6	400	11.1	70	300
T17PMK442B	□42×48	1.8	BI-POLAR	0.9	5.6	450	15.8	90	350

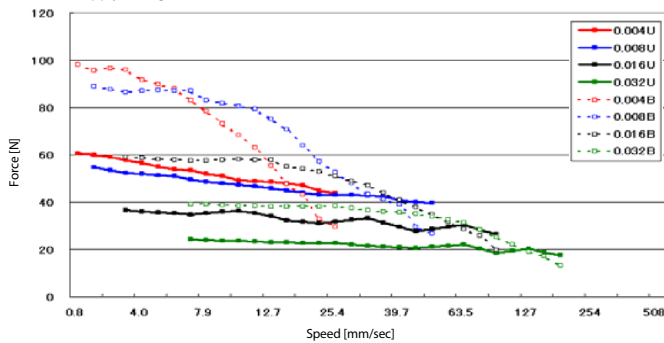
Screw Specifications - Standard Offerings

Lead Screw Length (mm)
)"
+"
##"
#%"
#"

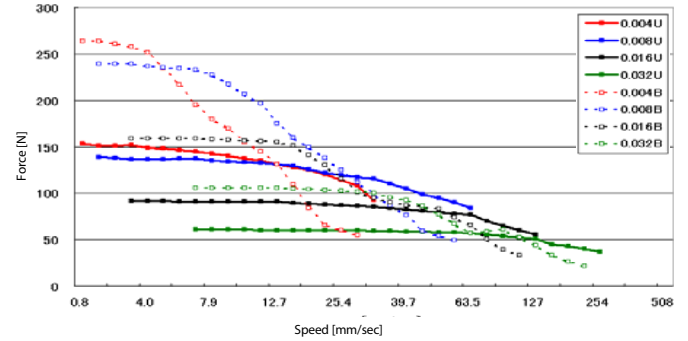
Linear Travel/Step (mm)	Screw Pitch (mm)
0.004	160
0.008	160
0.016	250
0.032	250

Torque/Speed Characteristics

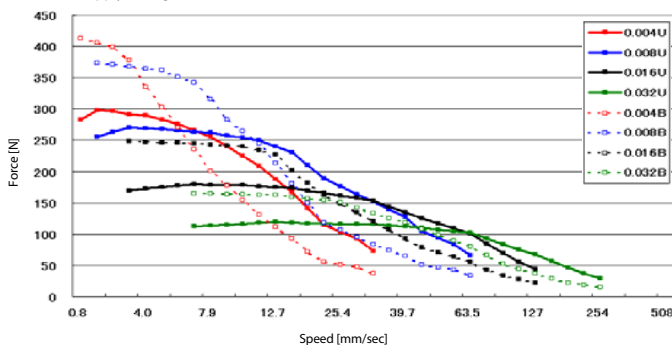
Model No: T17PMK749U & B
Driver : Chopper Dual
Supply Voltage : 24.0 (volt)



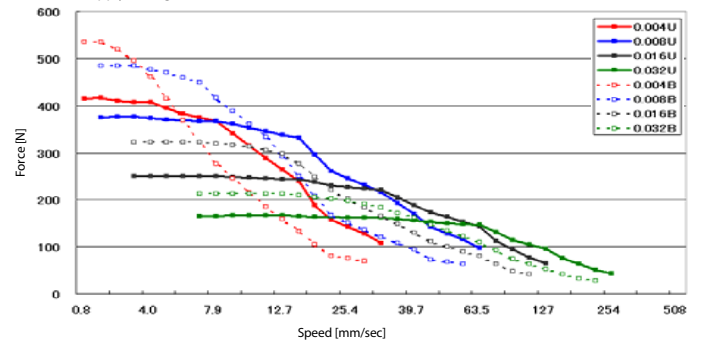
Model No: T17PMK249U & B
Driver : Chopper Dual
Supply Voltage : 24.0 (volt)



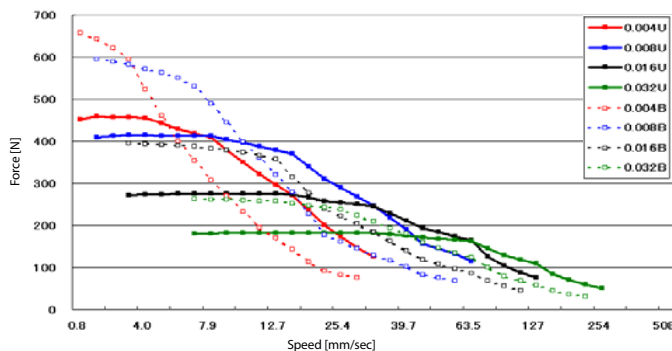
Model No: T17PMK049U & B
Driver : Chopper Dual
Supply Voltage : 24.0 (volt)



Model No: T17PMK342U & B
Driver : Chopper Dual
Supply Voltage : 24.0 (volt)



Model No: T17PMK142U & B
Driver : Chopper Dual
Supply Voltage : 24.0 (volt)



Model No: T17PMK442U & B
Driver : Chopper Dual
Supply Voltage : 24.0 (volt)

