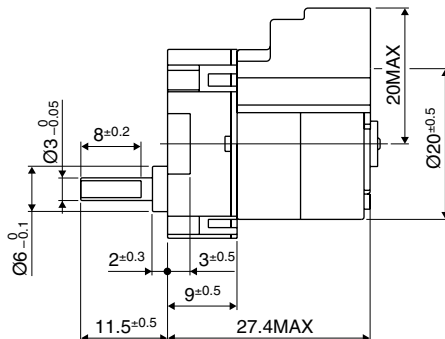
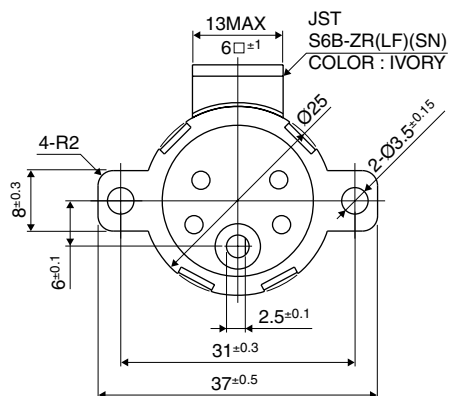


Outline

Gearbox



PG

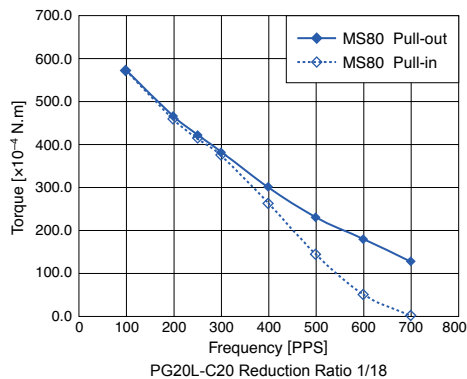
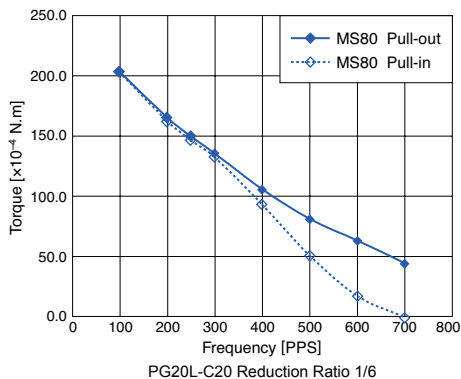
*Please contact our sales for inventory and lot information. Specification may be changed without notice.

Specifications

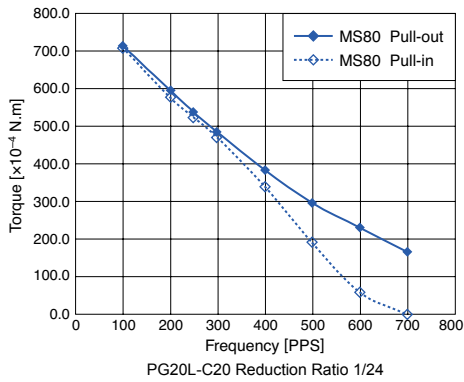
Reduction Ratio	Number of Steps per Rotation	Drive Method	Drive Circuit	Drive Voltage	DC Resistance	Drive IC	Magnet Material
1/6	120 (3°/Step)	2-2 Phase	Unipolar Const. Volt.	18 [V]	300 [Ω]	25C3346	Nd-Fe-B bonded magnet (MS80)
1/18	360 (1°/Step)						
1/24	480 (0.75°/Step)						

Operation Frequency	Max. Torque Load	Insulation Resistance	Dielectric Strength	Class of Insulation	Operating Temperature	Storage Temperature	Operating Humidity
250pps Continuous run	Continuous 19.6 mNm (reference) Instantaneous 98 mNm (reference)	100M [Ω] MIN	AC 500 [V] 1 [min]	CLASS B (except lead wire)	0 [°C] ~ 65 [°C]	-30 [°C] ~ 80 [°C]	20 [%] RH ~ 90 [%] RH

Torque/Speed Characteristics



Torque/Speed Characteristics



These torque values are reference only. Heat radiation conditions and temperature rise effect by duty are different on each equipment, therefore please select motors after considering the actual equipment.

Applications

- Game Equipment: Pachinko
- OA Equipment: Printers/Photocopiers
- Power Tools: Drills/Drivers