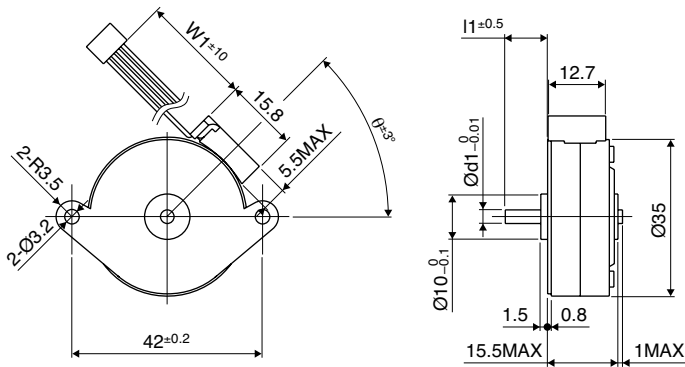


Outline



PM

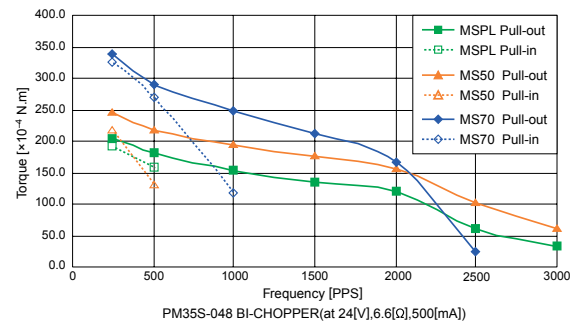
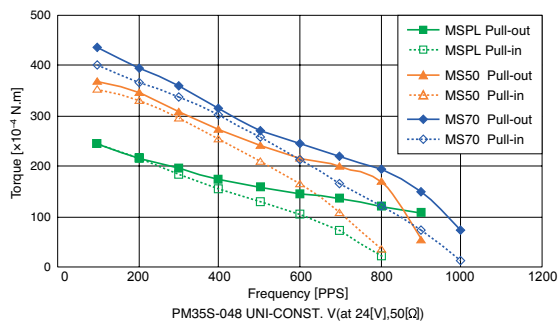
*Please contact our sales for inventory and lot information. Specification may be changed without notice.

Specifications

Number of Steps per Rotation	Drive Method	Drive Circuit	Drive Voltage	Current/Phase	Coil Resistance/Phase	Drive IC
48 (7.5°/Step)	2-2 Phase	Unipolar Const. Volt.	24 [V]		50 [Ω]	25C3346
		Bi-Polar Chopper	24 [V]	500 [mA]	6.6 [Ω]	UDN2916B-V

Magnet Material	Insulation Resistance	Dielectric Strength	Class of Insulation	Operating Temperature	Storage Temperature	Operating Humidity
Ferrite plastic magnet (MSPL) Polar anisotropy ferrite sintered magnet (MS50) Nd-Fe-B bonded magnet (MS70)	100M [Ω] MIN	AC 500 [V] 1 [min]	CLASS E (except lead wire)	-10 [°C] ~ 50 [°C]	-30 [°C] ~ 80 [°C]	20 [%] RH ~ 90 [%] RH

Torque/Speed Characteristics



These torque values are reference only. Heat radiation conditions and temperature rise effect by duty are different on each equipment, therefore please select motors after considering the actual equipment.

Applications

- OA Equipment: Printers/Scanners
- Automotive: Meters/Optic axis control device
- Industrial Equipment: Flow control valves
- Home Automation Appliances: Sewing machines