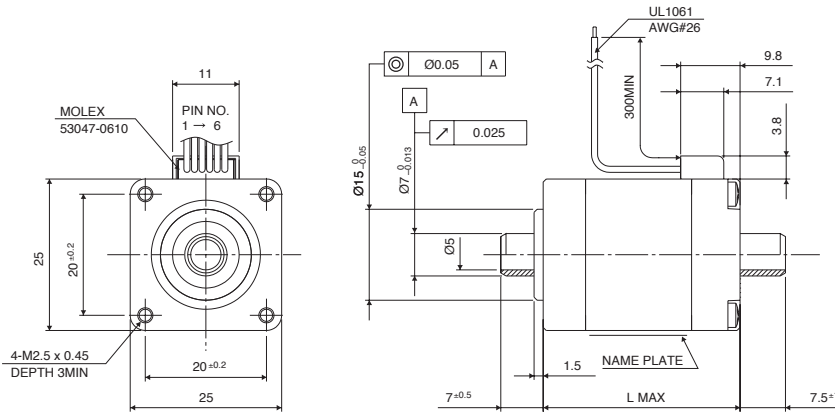


Outline

Hollow Shaft



Hybrid

General Specifications

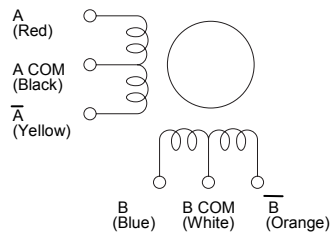
Step Accuracy: ±5%
 Temperature Rise: 80 MAX
 Ambient Temperature Range: -10 +50
 Insulation Resistance: 100MΩ MIN D C500V
 Dielectric Strength: AC500V 1min
 Radial Play: 20µm MAX (at 4.4N 450gf [Load])
 End Play: 80µm MAX (at 4.4N 450gf [Load])

	"L"
H10PMK2XX	23.5 (0.93)
H10PMK0XX	27.5 (1.08)
H10PMK7XX	33 (1.30)

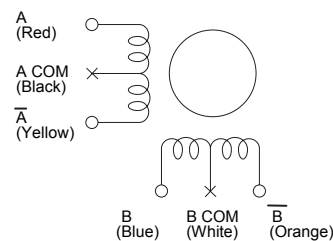
Specifications

Model	.PUPS 4J (mm)	Step Angle deg	Drive Sequence	Rated Current A	Resistance Ohms	Holding Torque mNm	Inductance mH	Rotor Inertia g cm ²	Mass g
H10PMK202BSTDCN	25 x 23.5	1.8	BI-POLAR	0.7	3.8	33	2	2	55
H10PMK013BSTDCN	25 x 27.5	1.8	BI-POLAR	0.21	47	49	32	3	70
H10PMK701BSTDCN	25 x 33	1.8	BI-POLAR	0.63	5.8	56	5.4	5	90

UNI POLAR Wiring Diagram



BI POLAR Wiring Diagram



M2G6PMBSSBUFDVSSFOU

Torque/Speed Characteristics

Model No. H10PMK013, K202, K701BSTDCN
Driver: Chopper Dual
Supply Voltage: 24.0 V (DC)

