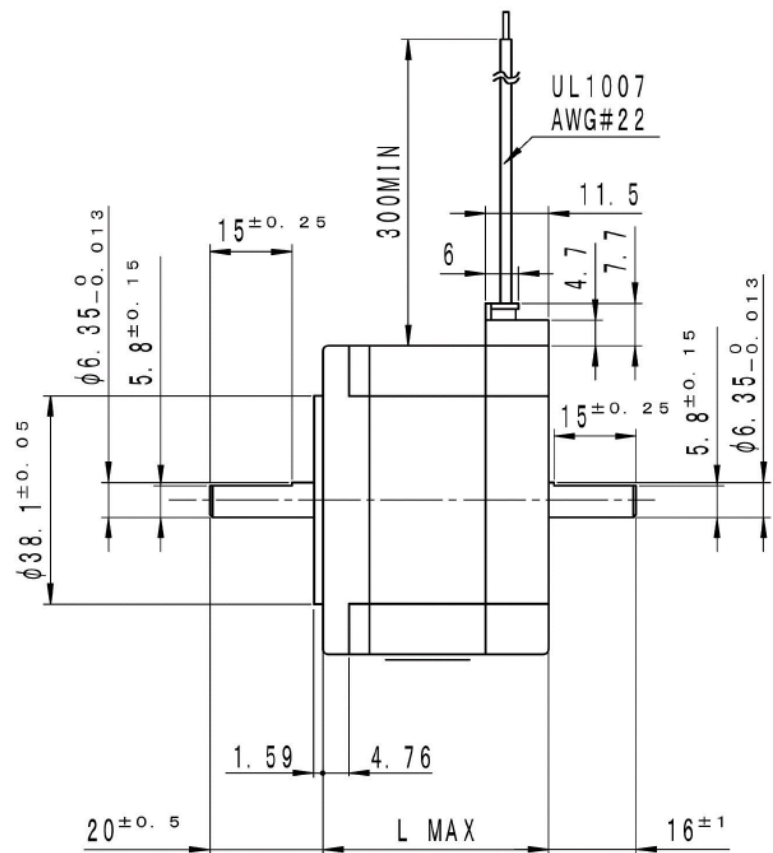
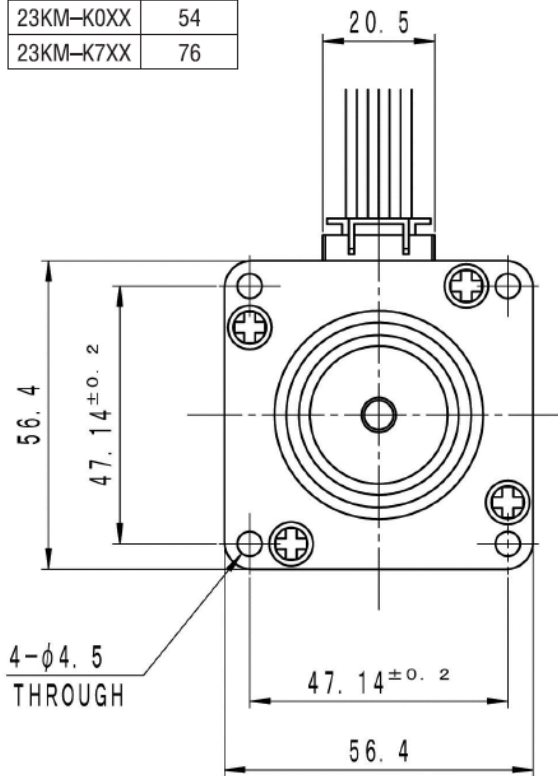


Standard Hybrid Step Motors

23KM-K

23KM-KXXX (56□ 1.8°)

Model	Length	UNIT:mm
23KM-K2XX	42	
23KM-K0XX	54	
23KM-K7XX	76	



23KM-K

Part Number	Motor Size [mm]	Step Angle [deg]	Rated Current [A]	Resistance [Ohms]	Holding Torque [mNm]	Mass [g]
23KM-K267-00V/99V	56 ~ 42	1.8	0.9	5.8	480	470
23KM-K251-00V/99V	56 ~ 42	1.8	1.8	1.5	480	470
23KM-K244-00V/99V	56 ~ 42	1.8	2.9	0.6	480	470
23KM-K066-00V/99V	56 ~ 54	1.8	1	7	900	680
23KM-K049-00V/99V	56 ~ 54	1.8	2	1.7	900	680
23KM-K044-00V/99V	56 ~ 54	1.8	3	0.85	900	680
23KM-K762-00V/99V	56 ~ 76	1.8	1	8.6	1,400	1,050
23KM-K748-00V/99V	56 ~ 76	1.8	2	2.3	1,400	1,050
23KM-K743-00V/99V	56 ~ 76	1.8	3	1.1	1,400	1,050

Model No : 23KM-K267U,K251U,K244U,K066U,K049U,K044U,
K762U,K748U,K743U

Driver : Chopper Dual
Supply Voltage : 24.0 (volt)

