

**General Specifications**

Motor Structure: Shaded Pole Induction Motor  
 Motor Protection: Impedance Protection  
 Insulation Resistance:  
 10M Ω or over with a DC500V Megger  
 Dielectric Withstand Voltage: AC 700V 1s  
 Allowable Ambient Temperature Range:  
 -10°C ~ +70°C (Operating)  
 -40°C ~ +70°C (Storage)

**Expected Life**

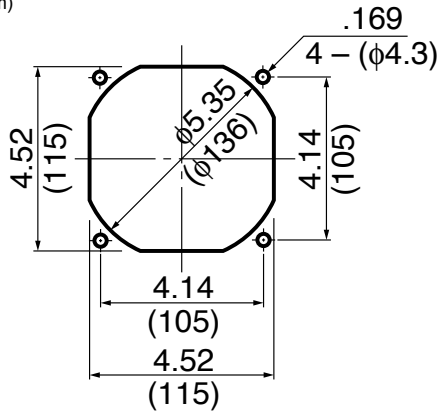
Failure Rate: 10%  
 25°C 50,000 Hours

**Material**

Casing : Aluminum  
 Impeller : Polycarbonate (Glass Fiber-Containing)  
 Bearing : Ball Bearing  
 Terminal : Faston #110 or equivalent

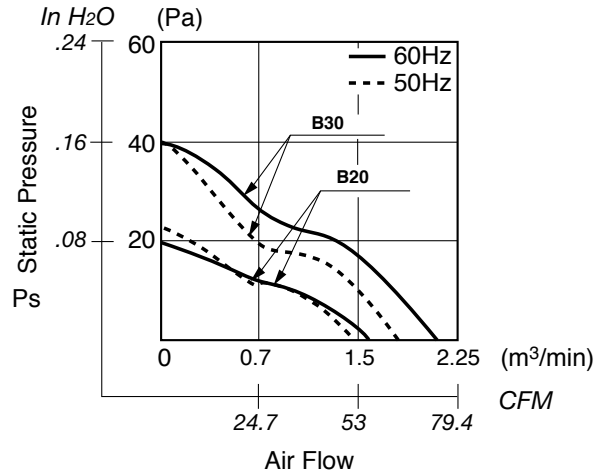
**Panel Cut-Outs**

Units:  $\frac{\text{inch}}{\text{mm}}$

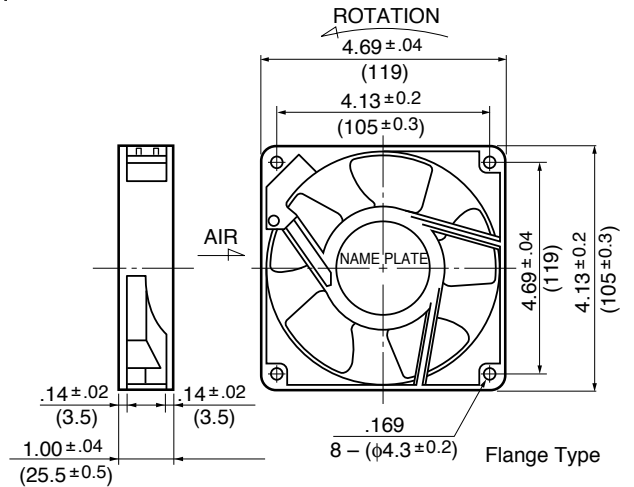


INLET SIDE / OUTLET SIDE

**Characteristic Curves**



**Outline**



## Specifications

| MODEL                 | Rated Voltage | Frequency | Starting Voltage | Current          | Input Power                  | Speed                             | Max. Air Flow |                                    | Max. Static Pressure |                   | Noise             | Mass |
|-----------------------|---------------|-----------|------------------|------------------|------------------------------|-----------------------------------|---------------|------------------------------------|----------------------|-------------------|-------------------|------|
|                       | (V)           | (Hz)      | (V)              | (A) <sup>1</sup> | (W) <sup>+10%<br/>-20%</sup> | (min <sup>-1</sup> ) <sup>3</sup> | CFM           | (m <sup>3</sup> /min) <sup>3</sup> | in H <sub>2</sub> O  | (Pa) <sup>3</sup> | (dB) <sup>2</sup> | (g)  |
| ** 4710PS-10T-B30-B00 | 100           | 50        | 65               | 0.220            | 14.0                         | 2300                              | 63.5          | 1.80                               | .16                  | 41.1              | 34.0              | 360  |
|                       | 100           | 60        | 65               | 0.180            | 11.0                         | 2700                              | 70.6          | 2.00                               | .16                  | 41.1              | 38.0              | 360  |
| 4710PS-12T-B30-A00    | 115           | 50        | 75               | 0.190            | 14.0                         | 2300                              | 63.5          | 1.80                               | .16                  | 41.1              | 34.0              | 360  |
|                       | 115           | 60        | 75               | 0.160            | 11.0                         | 2700                              | 70.6          | 2.00                               | .16                  | 41.1              | 38.0              | 360  |
| ** 4710PS-20T-B30-B00 | 200           | 50        | 130              | 0.110            | 14.0                         | 2300                              | 63.5          | 1.80                               | .16                  | 41.1              | 34.0              | 360  |
|                       | 200           | 60        | 130              | 0.090            | 11.0                         | 2700                              | 70.6          | 2.00                               | .16                  | 41.1              | 38.0              | 360  |
| ** 4710PS-22T-B30-B00 | 220           | 50        | 175              | 0.100            | 14.0                         | 2300                              | 63.5          | 1.80                               | .16                  | 41.1              | 34.0              | 360  |
|                       | 220           | 60        | 175              | 0.080            | 11.0                         | 2700                              | 70.6          | 2.00                               | .16                  | 41.1              | 38.0              | 360  |
| 4710PS-23T-B30-A00    | 230           | 50        | 175              | 0.100            | 14.0                         | 2300                              | 63.5          | 1.80                               | .16                  | 41.1              | 34.0              | 360  |
|                       | 230           | 60        | 175              | 0.090            | 11.0                         | 2700                              | 70.6          | 2.00                               | .16                  | 41.1              | 38.0              | 360  |
| ** 4710PS-24T-B30-A00 | 240           | 50        | 130              | 0.100            | 15.0                         | 2300                              | 60.0          | 1.70                               | .16                  | 41.1              | 34.0              | 360  |
|                       | 240           | 60        | 130              | 0.080            | 13.0                         | 2700                              | 70.6          | 2.00                               | .16                  | 41.1              | 38.0              | 360  |
| ** 4710PS-10T-B20-B00 | 100           | 50        | 65               | 0.120            | 8.0                          | 1900                              | 49.4          | 1.40                               | .08                  | 19.6              | 29.0              | 360  |
|                       | 100           | 60        | 65               | 0.100            | 7.0                          | 2100                              | 53.0          | 1.50                               | .086                 | 21.5              | 30.0              | 360  |
| 4710PS-12T-B20-A00    | 115           | 50        | 75               | 0.100            | 8.0                          | 1900                              | 49.4          | 1.40                               | .09                  | 23.5              | 29.0              | 360  |
|                       | 115           | 60        | 75               | 0.090            | 7.0                          | 2000                              | 53.0          | 1.50                               | .08                  | 21.5              | 30.0              | 360  |
| ** 4710PS-20T-B20-B00 | 200           | 50        | 130              | 0.070            | 9.0                          | 1900                              | 45.9          | 1.30                               | .08                  | 19.6              | 29.0              | 360  |
|                       | 200           | 60        | 160              | 0.060            | 8.0                          | 2000                              | 53.0          | 1.50                               | .086                 | 21.5              | 30.0              | 360  |
| ** 4710PS-22T-B20-B00 | 220           | 50        | 175              | 0.060            | 9.0                          | 1900                              | 49.4          | 1.40                               | .08                  | 19.6              | 29.0              | 360  |
|                       | 220           | 60        | 175              | 0.050            | 8.0                          | 2100                              | 53.0          | 1.50                               | .086                 | 21.5              | 30.0              | 360  |
| ** 4710PS-23T-B20-A00 | 230           | 50        | 175              | 0.060            | 9.0                          | 1900                              | 49.4          | 1.40                               | .09                  | 23.5              | 29.0              | 360  |
|                       | 230           | 60        | 175              | 0.050            | 8.0                          | 2100                              | 53.0          | 1.50                               | .08                  | 21.5              | 30.0              | 360  |
| 4710PS-24T-B20-A00    | 240           | 50        | 140              | 0.060            | 9.0                          | 1900                              | 49.4          | 1.40                               | .08                  | 19.6              | 29.0              | 360  |
|                       | 240           | 60        | 140              | 0.050            | 8.0                          | 2100                              | 53.0          | 1.50                               | .086                 | 21.5              | 30.0              | 360  |

Rotation: Counterclockwise  
 \*\* Contact NMB for Availability

Airflow Outlet: Air Out Over Struts

\*1: Maximum Values in Free Air  
 \*2: Average Values in Free Air  
 \*3: Minimum Values in Free Air