

**General Specifications**

Motor Structure: Shaded Pole Induction Motor  
 Motor Protection: Impedance Protection  
 Insulation Resistance:  
 100M Ω or over with a DC500V Megger  
 Dielectric Withstand Voltage: AC 1800V 3s  
 Allowable Ambient Temperature Range:  
 -10°C ~ +60°C (Operating)  
 -40°C ~ +70°C (Storage)  
 (non-condensing environment)

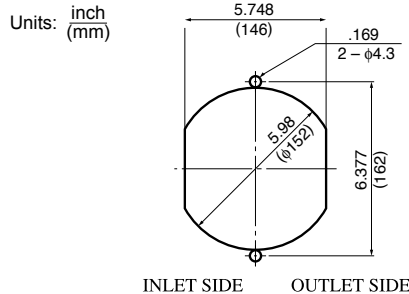
**Expected Life**

Failure Rate: 10%  
 25°C 50,000 Hours

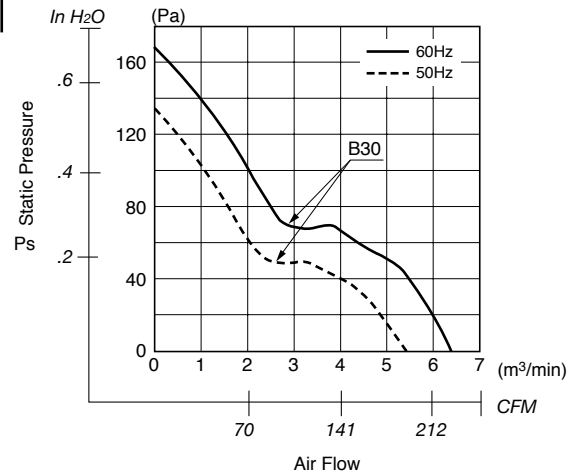
**Material**

Casing : Aluminum  
 Impeller : Steel  
 Bearing : Ball Bearing  
 Terminal : Faston #110 or equivalent

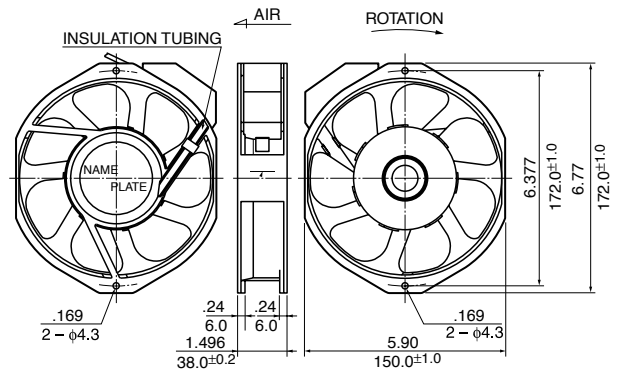
**Panel Cut-Outs**



**Characteristic Curves**



**Outline**



**Specifications**

MODEL	Rated Voltage	Frequency	Starting Voltage	Current	Input Power	Speed	Max. Air Flow		Max. Static Pressure		Noise	Mass
	(V)	(Hz)	(V)	(A) <sup>1</sup>	(W) <sup>1</sup>	(min <sup>-1</sup> ) <sup>3</sup>	CFM	(m <sup>3</sup> /min) <sup>3</sup>	in H <sub>2</sub> O	(Pa) <sup>3</sup>	(dB) <sup>2</sup>	(g)
** 5915PC-10T-B30-S00	100	50	65	0.530	42.0	2650	187.10	5.30	0.510	127.5	48	900
** 5915PC-10T-B30-S00	100	60	65	0.450	40.5	3150	222.39	6.30	0.655	163.8	53	900
5915PC-12T-B30-S00	115	50	75	0.450	40.0	2650	187.10	5.30	0.510	127.5	48	900
5915PC-12T-B30-S00	115	60	75	0.400	38.0	3150	222.39	6.30	0.655	163.8	53	900
** 5915PC-20T-B30-S00	200	50	130	0.250	42.0	2650	187.10	5.30	0.510	127.5	48	900
** 5915PC-20T-B30-S00	200	60	130	0.230	40.0	3150	222.39	6.30	0.655	163.8	53	900
** 5915PC-22T-B30-S00	220	50	145	0.250	42.0	2650	187.10	5.30	0.510	127.5	48	900
** 5915PC-22T-B30-S00	220	60	145	0.230	40.0	3150	222.39	6.30	0.655	163.8	53	900
5915PC-23T-B30-S00	230	50	150	0.220	42.0	2650	187.10	5.30	0.510	127.5	48	900
5915PC-23T-B30-S00	230	60	150	0.200	40.0	3150	222.39	6.30	0.655	163.8	53	900
** 5915PC-24T-B30-S00	240	50	155	0.200	39.0	2650	187.10	5.30	0.510	127.5	48	900
** 5915PC-24T-B30-S00	240	60	155	0.200	39.0	3150	222.39	6.30	0.655	163.8	53	900

Rotation: Counterclockwise  
 \*\* Contact NMB for Availability

Airflow Outlet: Air Out Over Struts

\*1: Maximum Values in Free Air  
 \*2: Average Values in Free Air  
 \*3: Minimum Values in Free Air