

General Specifications

- Motor Protection:**
Auto Restart/Polarity Protection
- Insulation Resistance:**
10M Ω or over with a DC500V Megger
- Dielectric Withstand Voltage:** AC 700V 1s
- Allowable Ambient Temperature Range:**
-10°C ~ +60°C (Operating)
-40°C ~ +70°C (Storage)
(non-condensing environment)

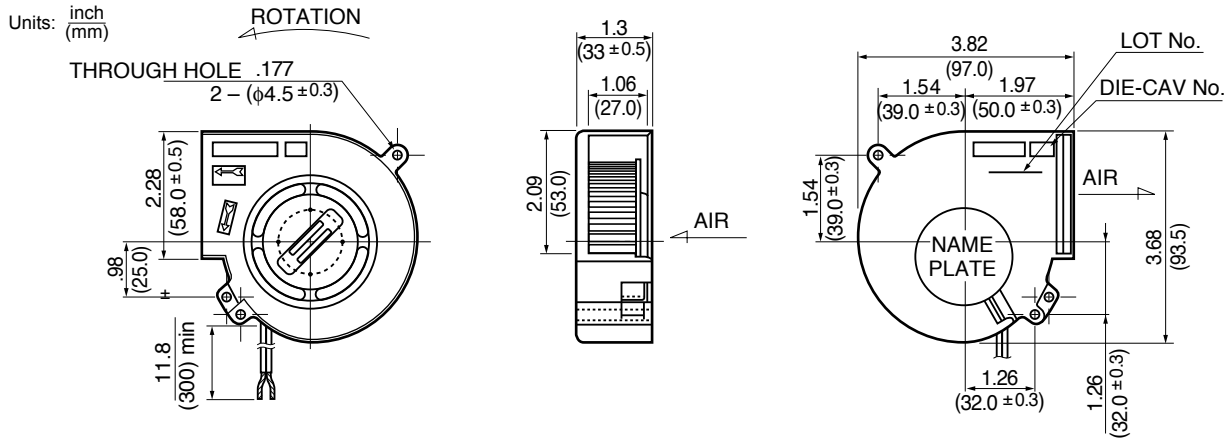
Expected Life

Failure Rate: 10%
25°C 100,000 Hours (00)

Material

- Casing : Plastic (Black) 94V-0
- Impeller : Plastic (Black) 94V-0
- Bearing : Ball Bearing
- Lead Wire : UL1007, AWG26, +Red, -Black

Outline



Specifications

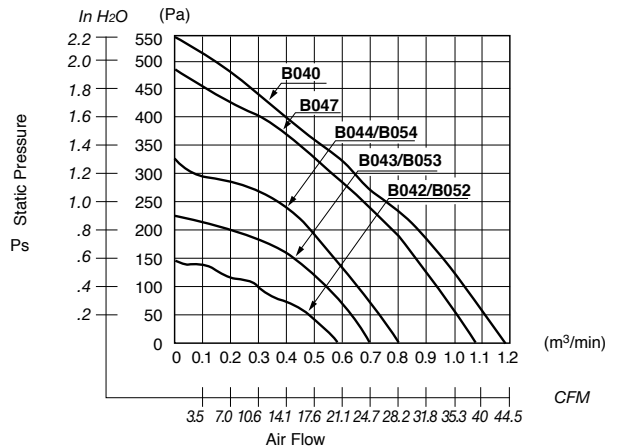
MODEL	Product No.	Rated Voltage	Operating Voltage	Current	Input Power	Speed	Max. Air Flow		Max. Static Pressure		Noise	Mass
		(V)	(V)	(A) ^{*1}	(W) ^{*1}	(min ⁻¹) ^{*1}	CFM ^{*1}	(m ³ /min) ^{*1}	in H ₂ O	(Pa) ^{*1}	(dB) ^{*1}	(g)
BG0903-B042-000-	00	12	8 ~ 13.8	0.40	4.80	2700	20.5	0.58	.61	152	47.5	210
BG0903-B043-000-	00	12	8 ~ 13.8	0.64	7.68	3200	24.7	0.70	.90	225	51.5	210
BG0903-B044-000-	00	12	8 ~ 12.6	1.03	12.40	3700	28.6	0.81	1.4	342	54.5	210
BG0903-B052-000-	00	24	10 ~ 27.6	0.21	5.04	2700	20.5	0.58	.61	152	47.5	210
BG0903-B053-000-	00	24	10 ~ 27.6	0.33	7.92	3200	24.7	0.70	.90	225	51.5	210
BG0903-B054-000-	00	24	10 ~ 25.0	0.49	11.80	3700	28.6	0.81	1.4	342	54.5	210
HIGH SPEED												
** BG0903-B040-000-	00	12	10.8 ~ 13.6	2.4	28.90	5700	42.0	1.19	2.2	549	65	210
** BG0903-B047-000-	00	12	10.8 ~ 12.6	1.6	19.20	5200	38.1	1.08	1.9	482	-	210

Rotation: Counterclockwise

*1: Average Values in Free Air

** Contact NMB for availability

Characteristic Curves



DC Blowers