

General Specifications

Motor Protection:

Auto Restart/Polarity Protection

Insulation Resistance:

10M Ω by DC500V Megger

Dielectric Withstand Voltage: AC 700V 1s

Allowable Ambient Temperature Range:

-10°C ~ +70°C (Operating)

-30°C ~ +70°C (Storage)

(non-condensing environment)

Expected Life

Failure Rate: 10%

40°C 70,000 Hours

Material

Casing : Plastic (Black) 94V-0

Impeller : Plastic (Black) 94V-0

Bearing : Ball Bearing

Lead Wire : UL10368, AWG 26/28

Inlet Fan : +Red, -Black

Tach Sig. : White

PWM Control : Brown

Outlet Fan: Orange

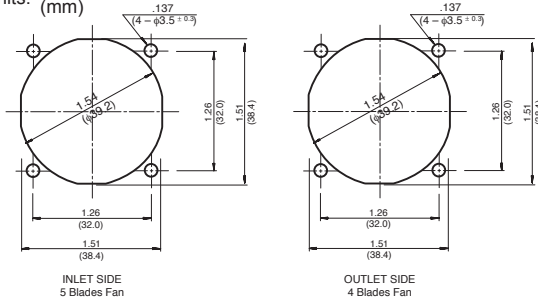
Gray

Yellow

Blue

Panel Cut-Outs

Units: inch (mm)



PWM Control Voltage

INLET/OUTLET

Vst = 0V ~ 0.4V Stop (On Duty 0%)

Vst = 4.0V ~ 5.0V Full Speed (On Duty 100%)

Vst = Open Full Speed

(At rating Voltage, Vst=5.0V, f=25.0 kHz, Ta=20°C)

Specifications

MODEL	Rated Voltage	Operating Voltage	Current	Input Power	Speed Air		Max. Flow	Max. Static Pressure	Noise	Mass
					Inlet	Outlet				
04056EA-12X-EUE-0	12	10.8 ~ 13.2	0.85	10.20	18,000	16,000	26.1	0.74	66.5	90

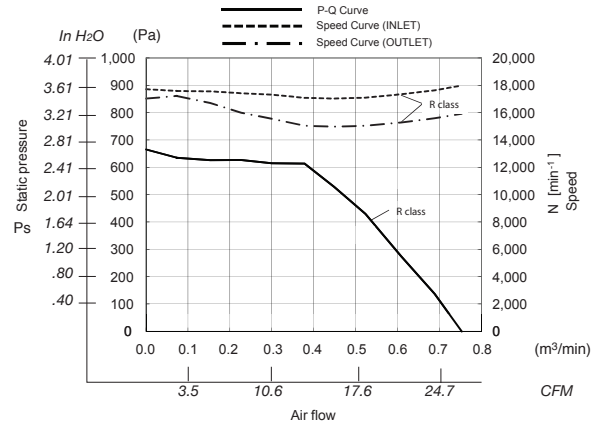
Rotation: Clockwise

Airflow Outlet: Air Out Over Struts

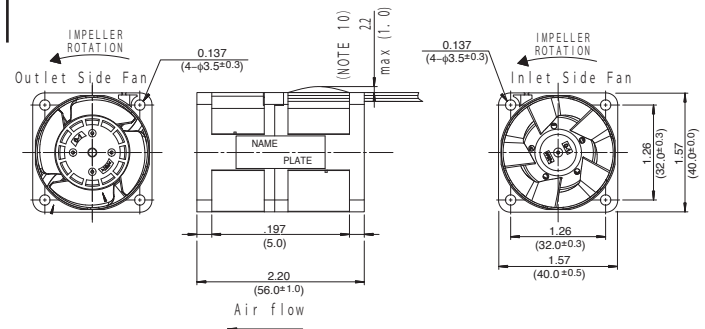
*1: Average Values in Free Air

NEW!

Characteristic Curves



Outline



Reference PWM Duty Vs. Speed Curve

