

## General Specifications

### Motor Protection:

Auto Restart/Polarity Protection

### Insulation Resistance:

10M Ω or over with a DC500V Megger

### Dielectric Withstand Voltage: AC 700V 1s

### Allowable Ambient Temperature Range:

-10°C ~ +70°C (Operating)

-40°C ~ +70°C (Storage)

(non-condensing environment)

## Expected Life

### Failure Rate: 10%

60°C 40,000 Hours (L10)

## Material

Casing : Plastic (Black) 94V-0

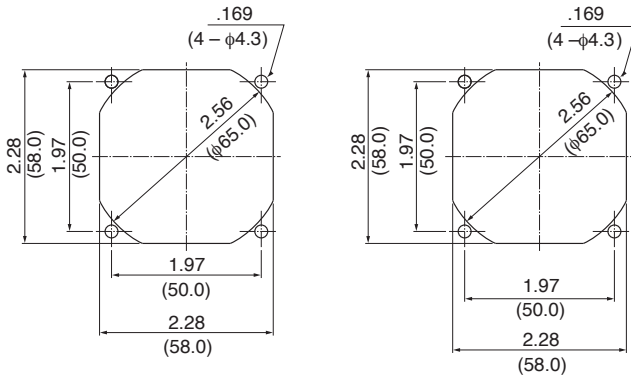
Impeller : Plastic (Black) 94V-0

Bearing : Ball Bearing

Lead Wire : UL3385, AWG26, +Red, -Black

## Panel Cut-Outs

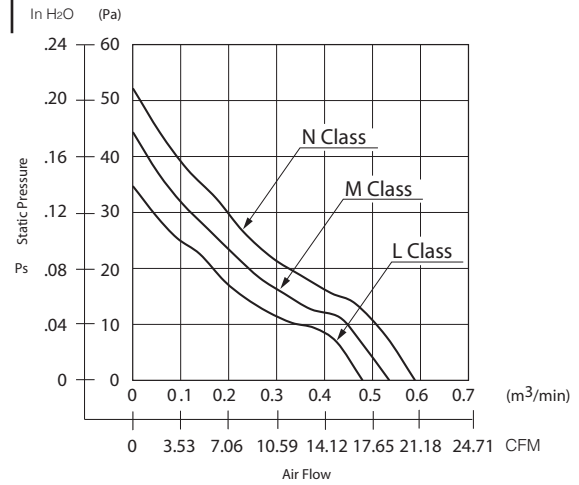
Units:  $\frac{\text{inch}}{\text{(mm)}}$



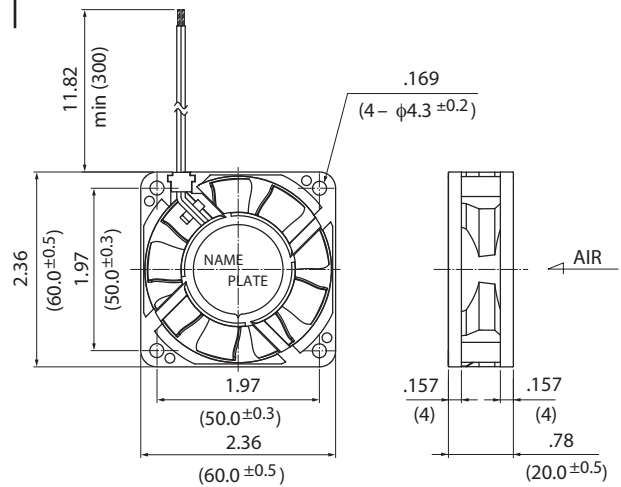
INLET SIDE

OUTLET SIDE

## Characteristic Curves



## Outline



## Specifications

MODEL	Product No.	Rated Voltage	Operating Voltage	Current	Input Power	Speed	Max. Air Flow		Max. Static Pressure		Noise	Mass
		(V)	(V)	(A) <sup>*1</sup>	(W) <sup>*1</sup>	(min <sup>-1</sup> ) <sup>*1</sup>	CFM <sup>*1</sup>	(m³/min) <sup>*1</sup>	in H <sub>2</sub> O	(Pa) <sup>*1</sup>	(dB) <sup>*1</sup>	(g)
06020SA-12L-AA/EA	00	12	6.0 ~ 13.8	0.06	0.72	3600	16.6	0.47	0.14	34.7	26.0	56
06020SA-12M-AA/EA	00	12	6.0 ~ 13.8	0.08	0.96	4000	18.4	0.52	0.17	42.6	28.5	56
06020SA-12N-AA/EA	00	12	6.0 ~ 13.8	0.09	1.08	4400	20.5	0.58	0.21	52.1	30.5	56
06020SA-24L-AA/EA	00	24	9.0 ~ 27.6	0.05	1.20	3600	16.6	0.47	0.14	34.4	26.0	56
06020SA-24M-AA/EA	00	24	9.0 ~ 27.6	0.06	1.44	4000	18.4	0.52	0.16	40.0	28.5	56
06020SA-24N-AA/EA	00	24	9.0 ~ 27.6	0.07	1.68	4400	20.5	0.58	0.20	49.1	30.5	56

Rotation: Clockwise

Airflow Outlet: Air Out Over Struts

\*1: Average Values in Free Air