

General Specifications

Motor Protection:

Auto Restart/Polarity Protection

Insulation Resistance:

10M Ω or over with a DC500V Megger

Dielectric Withstand Voltage: AC 700V 1s

Allowable Ambient Temperature Range:

-10°C ~ +70°C (Operating)

-40°C ~ +70°C (Storage)

(non-condensing environment)

Expected Life

Failure Rate: 10%

60°C 40,000 Hours (L10)

Material

Casing : Plastic (Black) 94V-0

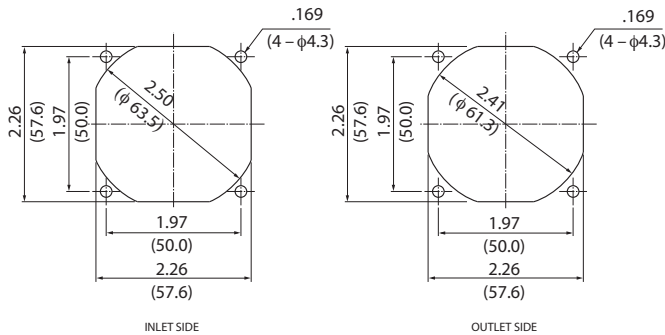
Impeller : Plastic (Black) 94V-0

Bearing : Ball Bearing

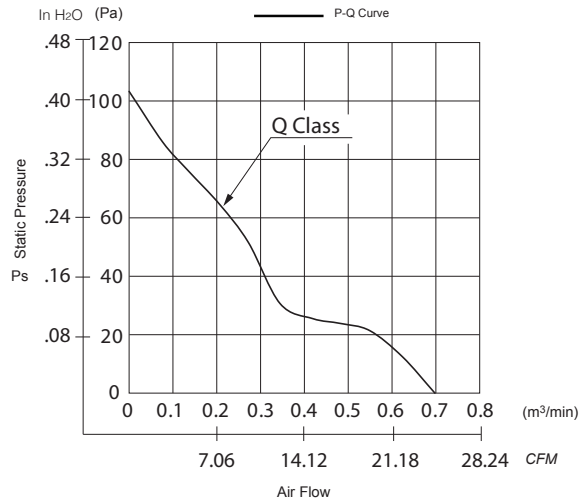
Lead Wire : UL3385, AWG26, +Red, -Black

Panel Cut-Outs

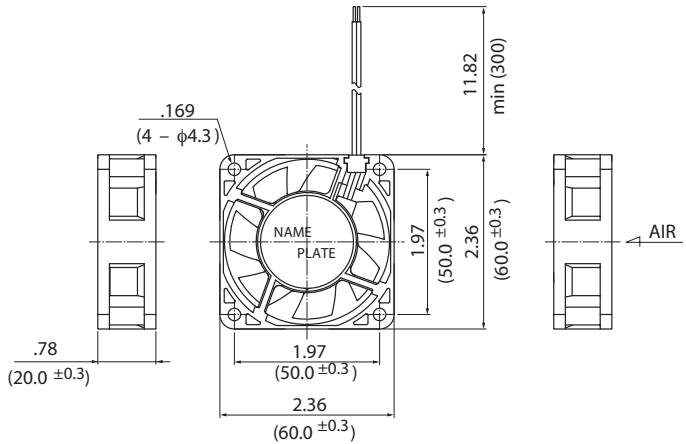
Units: $\frac{\text{inch}}{\text{mm}}$



Characteristic Curves



Outline



Specifications

MODEL	Product No.	Rated Voltage	Operating Voltage	Current	Input Power	Speed	Max. Air Flow		Max. Static Pressure		Noise	Mass
		(V)	(V)	(A)*1	(W)*1	(min ⁻¹)*1	CFM*1	(m³/min)*1	in H ₂ O	(Pa)*1	(dB)*1	(g)
06020VA-24Q-AA	00	24	10.0 ~ 26.4	0.15	3.60	6900	24.6	0.70	0.40	100.0	42.0	70

Rotation: Clockwise

Airflow Outlet: Air Out Over Struts

*1: Average Values in Free Air