

General Specifications

Motor Protection:

Auto Restart/Polarity Protection (except B50 class)

Insulation Resistance:

10M Ω or over with a DC500V Megger

Dielectric Withstand Voltage: AC 700V 1s

Allowable Ambient Temperature Range:

- 10°C ~ +60°C (Operating) N Class
- 10°C ~ +70°C (Operating) L-M Class
- 40°C ~ +70°C (Storage)

Expected Life

Failure Rate: 10%

25°C 60,000 Hours (L10)

Material

Casing : Plastic (Black) 94V-0 (Lower)
: Steel (Upper)

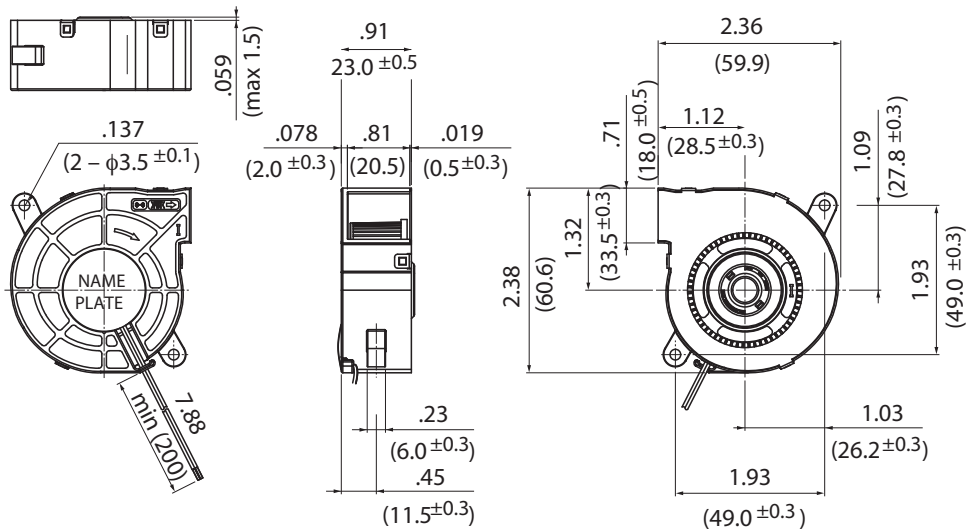
Impeller : Plastic (Black) 94V-0

Bearing : Ball Bearing

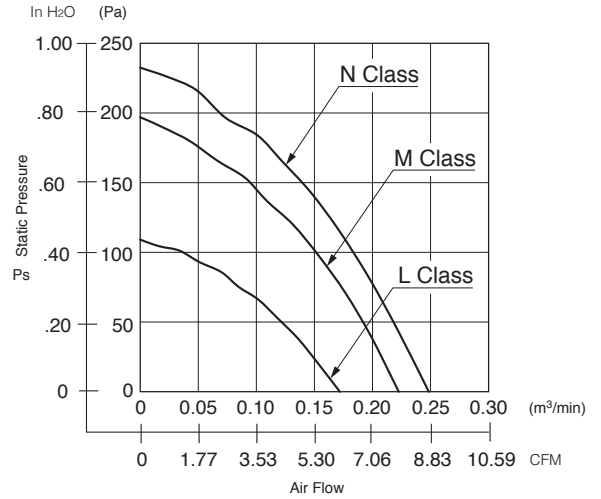
Lead Wire : UL1061, AWG26, +Red, -Black

Outline

Units: $\frac{\text{inch}}{\text{mm}}$



Characteristic Curves



Specifications

MODEL	Rated Voltage	Operating Voltage	Current	Input Power	Speed	Max. Air Flow		Max. Static Pressure		Noise	Mass	
	Product No.	(V)	(V)	(A) ^{*1}	(W) ^{*1}	(min ⁻¹) ^{*1}	CFM ^{*1}	(m³/min) ^{*1}	in H ₂ O	(Pa) ^{*1}	(dB) ^{*1}	(g)
06023GA-12L-AA	00	12	6.0 ~ 13.8	0.11	1.32	3500	6.0	0.17	.44	110	30.0	60
06023GA-12M-AA	00	12	6.0 ~ 13.8	0.23	2.76	4500	7.7	0.22	.80	200	37.0	60
06023GA-12N-AA	00	12	6.0 ~ 13.2	0.26	3.12	5000	8.4	0.24	.92	230	41.0	60

Rotation: Counterclockwise

*1: Average Values in Free Air

** Contact NMB for availability