

General Specifications

Motor Protection:

Auto Restart/Polarity Protection

Insulation Resistance:

10M Ω or over with a DC500V Megger

Dielectric Withstand Voltage: AC 700V 1s

Allowable Ambient Temperature Range:

-10°C ~ +70°C (Operating)

-40°C ~ +70°C (Storage)

(non-condensing environment)

Expected Life

Failure Rate: 10%

40°C 70,000 Hours (L10)

Material

Casing : Plastic (Black) 94V-0

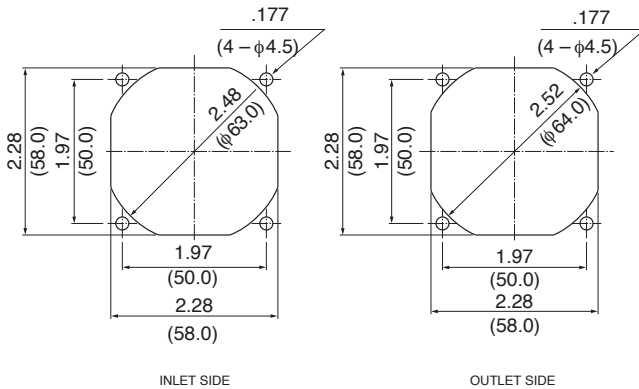
Impeller : Plastic (Black) 94V-0

Bearing : Ball Bearing

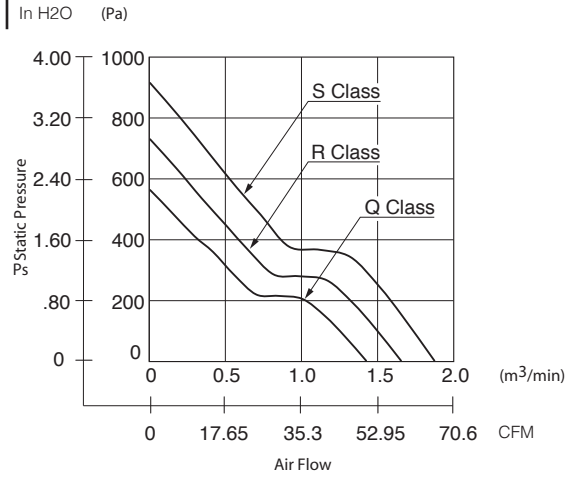
Lead Wire : UL10368, AWG24, +Red, -Black

Panel Cut-Outs

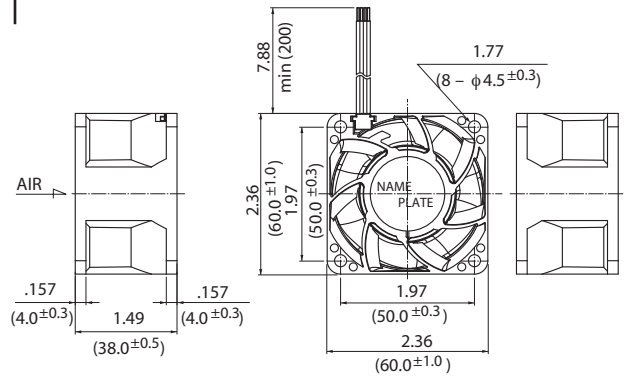
Units: $\frac{\text{inch}}{\text{mm}}$



Characteristic Curves



Outline



Specifications

MODEL	Product No.	Rated Voltage	Operating Voltage	Current	Input Power	Speed	Max. Air Flow		Max. Static Pressure		Noise	Mass
		(V)	(V)	(A) ^{*1}	(W) ^{*1}	(min ⁻¹) ^{*1}	CFM ^{*1}	(m ³ /min) ^{*1}	in H ₂ O	(Pa) ^{*1}	(dB) ^{*1}	(g)
06038DA-12Q-EA	D0	12	10.8 ~ 13.2	0.78	9.40	13000	50.5	1.43	2.31	575.0	58.0	123
06038DA-12R-EA	D0	12	10.8 ~ 13.2	1.16	14.00	15000	58.6	1.66	2.97	740.0	61.5	123
06038DA-12S-EA	D0	12	10.8 ~ 13.2	1.65	19.80	17000	66.4	1.88	3.71	925.0	63.5	123

Rotation: Clockwise

Airflow Outlet: Air Out Over Struts

*1: Average Values in Free Air