

General Specifications

- Motor Protection:**
Auto Restart/Polarity Protection
- Insulation Resistance:**
10M Ω or over with a DC500V Megger
- Dielectric Withstand Voltage:** AC 700V 1s
- Allowable Ambient Temperature Range:**
-10°C ~ +70°C (Operating)
-40°C ~ +70°C (Storage)
(non-condensing environment)

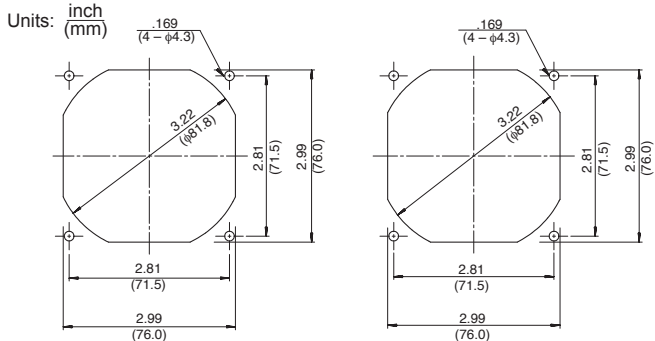
Expected Life

Failure Rate: 10%
60°C 40,000 Hours (L10)

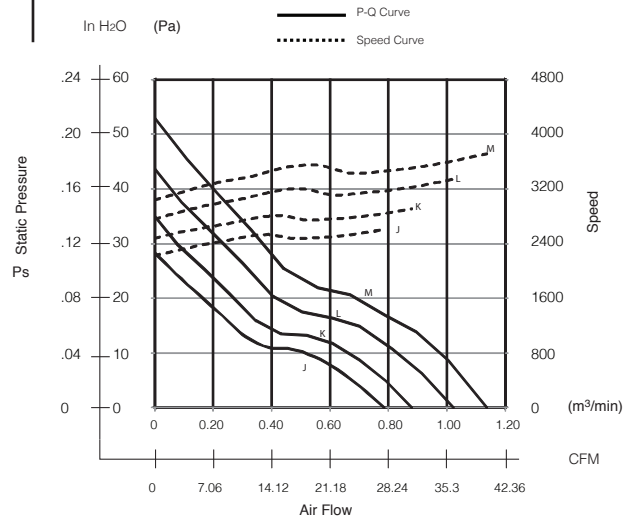
Material

- Casing : Plastic (Black) 94V-0
- Impeller : Plastic (Black) 94V-0
- Bearing : Ball Bearing
- Lead Wire : UL3385, AWG26, +Red, -Black

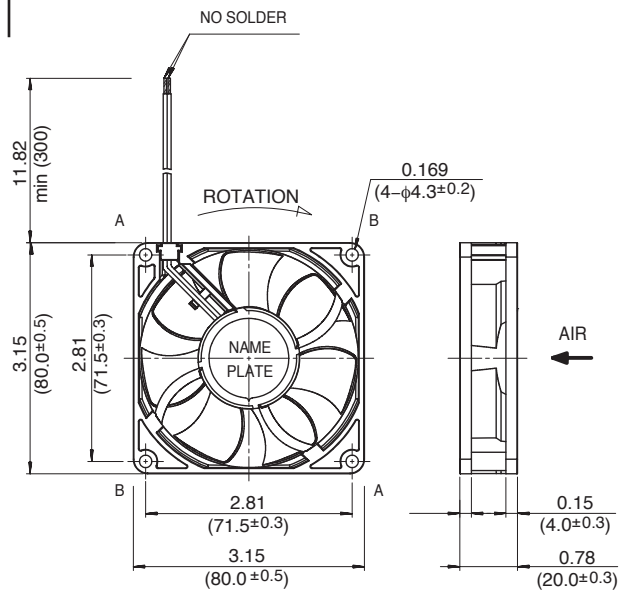
Panel Cut-Outs



Characteristic Curves



Outline



Specifications

MODEL	Product No.	Rated Voltage	Operating Voltage	Current	Input Power	Speed	Max. Air Flow		Max. Static Pressure		Noise	Mass
		(V)	(V)	(A) ^{*1}	(W) ^{*1}	(min ⁻¹) ^{*1}	CFM ^{*1}	(m ³ /min) ^{*1}	in H ₂ O	(Pa) ^{*1}	(dB) ^{*1}	(g)
08020SA-12J-AX-00	A	12	6.0 ~ 13.8	0.05	0.60	2600	27.5	0.78	0.11	28.3	27.0	80
08020SA-12J-AX-00	L	12	6.0 ~ 13.8	0.05	0.60	2600	27.5	0.78	0.11	28.3	27.0	80
08020SA-12J-AX-00	T	12	6.0 ~ 13.8	0.05	0.60	2600	27.5	0.78	0.11	28.3	27.0	80
08020SA-12K-AX-00	A	12	6.0 ~ 13.8	0.07	0.84	2900	31.1	0.88	0.14	34.9	31.0	80
08020SA-12K-AX-00	L	12	6.0 ~ 13.8	0.07	0.84	2900	31.1	0.88	0.14	34.9	31.0	80
08020SA-12K-AX-00	T	12	6.0 ~ 13.8	0.07	0.84	2900	31.1	0.88	0.14	34.9	31.0	80
08020SA-12L-AX-00	A	12	6.0 ~ 13.8	0.09	1.08	3300	36.0	1.02	0.17	43.6	34.0	80
08020SA-12L-AX-00	L	12	6.0 ~ 13.8	0.09	1.08	3300	36.0	1.02	0.17	43.6	34.0	80
08020SA-12L-AX-00	T	12	6.0 ~ 13.8	0.09	1.08	3300	36.0	1.02	0.17	43.6	34.0	80
08020SA-12M-AX-00	A	12	6.0 ~ 13.2	0.13	1.56	3700	39.9	1.13	0.21	52.8	37.5	80
08020SA-12M-AX-00	L	12	6.0 ~ 13.2	0.13	1.56	3700	39.9	1.13	0.21	52.8	37.5	80
08020SA-12M-AX-00	T	12	6.0 ~ 13.2	0.13	1.56	3700	39.9	1.13	0.21	52.8	37.5	80

Rotation: Clockwise

Airflow Outlet: Air Out Over Struts

*1: Average Values in Free Air

Specifications

MODEL	Product No.	Rated Voltage	Operating Voltage	Current	Input Power	Speed	Max. Air Flow		Max. Static Pressure		Noise	Mass
		(V)	(V)	(A) ^{*1}	(W) ^{*1}	(min ⁻¹) ^{*1}	CFM ^{*1}	(m ³ /min) ^{*1}	in H ₂ O	(Pa) ^{*1}	(dB) ^{*1}	(g)
08020SA-24J-AX-00	A	24	9.0 ~ 27.6	0.05	1.20	2600	27.5	0.78	0.09	23.5	27.0	80
08020SA-24J-AX-00	L	24	9.0 ~ 27.6	0.05	1.20	2600	27.5	0.78	0.09	23.5	27.0	80
08020SA-24J-AX-00	T	24	9.0 ~ 27.6	0.05	1.20	2600	27.5	0.78	0.09	23.5	27.0	80
08020SA-24K-AX-00	A	24	9.0 ~ 27.6	0.06	1.44	2900	31.1	0.88	0.11	28.5	31.0	80
08020SA-24K-AX-00	L	24	9.0 ~ 27.6	0.06	1.44	2900	31.1	0.88	0.11	28.5	31.0	80
08020SA-24K-AX-00	T	24	9.0 ~ 27.6	0.06	1.44	2900	31.1	0.88	0.11	28.5	31.0	80
08020SA-24L-AX-00	A	24	9.0 ~ 27.6	0.07	1.68	3300	36.0	1.02	0.14	35.0	34.0	80
08020SA-24L-AX-00	L	24	9.0 ~ 27.6	0.07	1.68	3300	36.0	1.02	0.14	35.0	34.0	80
08020SA-24L-AX-00	T	24	9.0 ~ 27.6	0.07	1.68	3300	36.0	1.02	0.14	35.0	34.0	80
08020SA-24M-AX-00	A	24	9.0 ~ 27.6	0.09	2.16	3700	39.9	1.13	0.18	44.0	37.5	80
08020SA-24M-AX-00	L	24	9.0 ~ 27.6	0.09	2.16	3700	39.9	1.13	0.18	44.0	37.5	80
08020SA-24M-AX-00	T	24	9.0 ~ 27.6	0.09	2.16	3700	39.9	1.13	0.18	44.0	37.5	80

Rotation: Clockwise

Airflow Outlet: Air Out Over Struts

*1: Average Values in Free Air