

General Specifications

Motor Protection:

Auto Restart/Polarity Protection

Insulation Resistance:

10M Ω or over with a DC500V Megger

Dielectric Withstand Voltage: AC 700V 1s

Allowable Ambient Temperature Range:

-10°C ~ +70°C (Operating)

-40°C ~ +70°C (Storage)

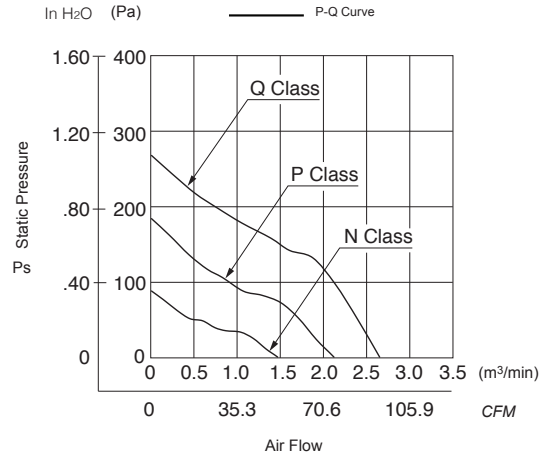
(non-condensing environment)

Expected Life

Failure Rate: 10%

40°C 70,000 Hours (L10)

Characteristic Curves



Material

Casing : Plastic (Black) 94V-0

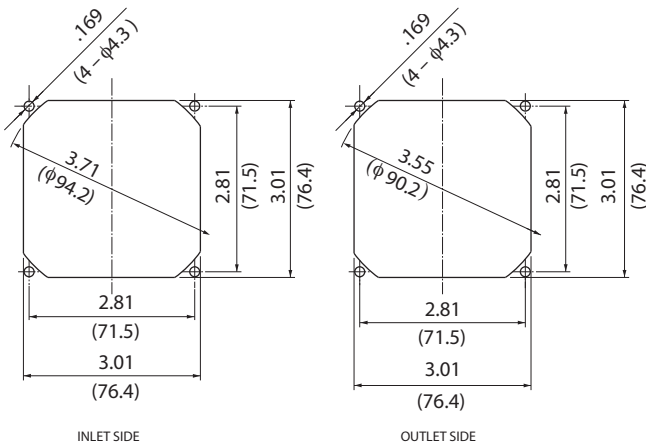
Impeller : Plastic (Black) 94V-0

Bearing : Ball Bearing

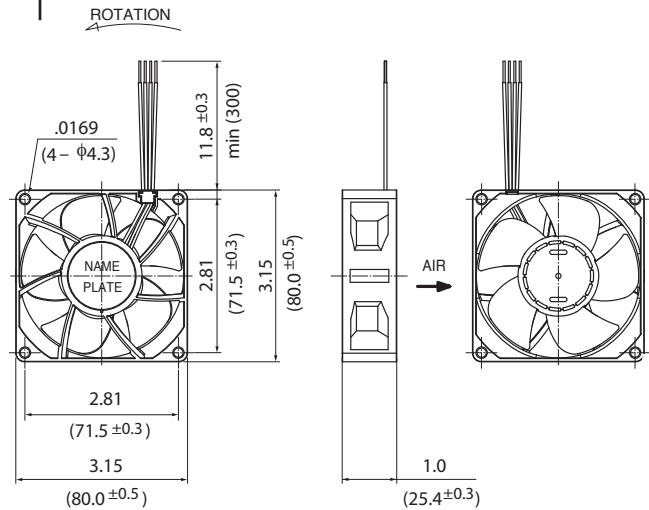
Lead Wire : UL10368, AWG26, +Red, -Black

Panel Cut-Outs

Units: $\frac{\text{inch}}{\text{mm}}$



Outline



Specifications

MODEL	Product No.	Rated Voltage	Operating Voltage	Current	Input Power	Speed	Max. Air Flow		Max. Static Pressure		Noise	Mass
		(V)	(V)	(A) ^{*1}	(W) ^{*1}	(min ⁻¹) ^{*1}	CFM ^{*1}	(m ³ /min) ^{*1}	in H ₂ O	(Pa) ^{*1}	(dB) ^{*1}	(g)
08025DA-12N-AA	00	12	7.0 ~ 15.0	0.40	4.80	5000	53.0	1.50	.34	85.0	37.0	120
08025DA-12P-AA	00	12	7.0 ~ 15.0	0.80	9.60	7000	74.1	2.10	.72	180.0	47.0	120
08025DA-12Q-AA	00	12	7.0 ~ 15.0	1.40	16.80	9000	92.0	2.60	1.04	260.0	59.0	120

Rotation: Clockwise

Airflow Outlet: Air Out Over Struts

*1: Average Values in Free Air