

General Specifications

Motor Protection:

Auto Restart/Polarity Protection

Insulation Resistance:

10M Ω or over with a DC500V Megger

Dielectric Withstand Voltage: AC 700V 1s

Allowable Ambient Temperature Range:

-10°C ~ +70°C (Operating) J~Q

-10°C ~ +60°C (Operating) R

-40°C ~ +70°C (Storage) All Class
(non-condensing environment)

Expected Life

Failure Rate: 10%

60°C 40,000 Hours (L10)

Material

Casing : Plastic (Black) 94V-0

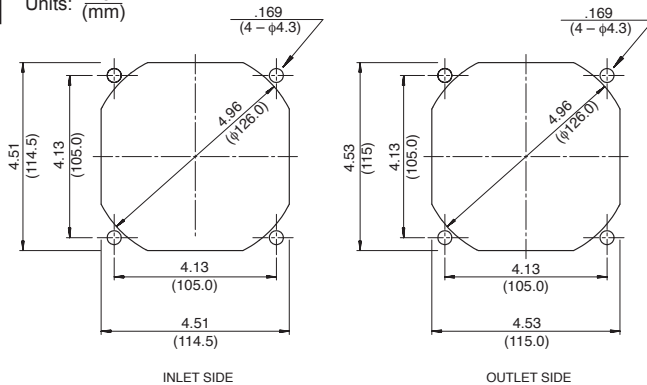
Impeller : Plastic (Black) 94V-0

Bearing : Ball Bearing

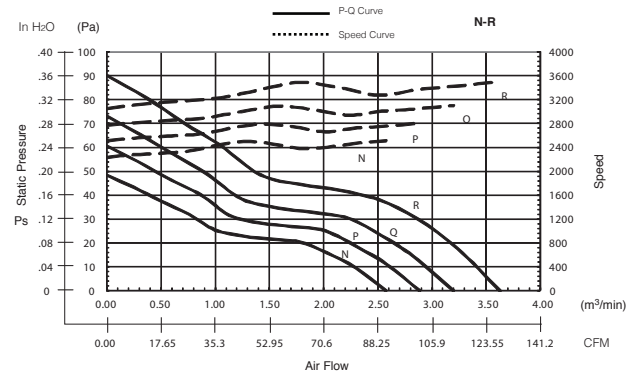
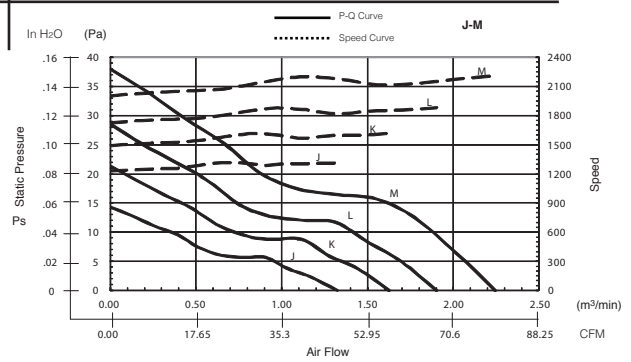
Lead Wire : UL3385, AWG26, +Red, -Black

Panel Cut-Outs

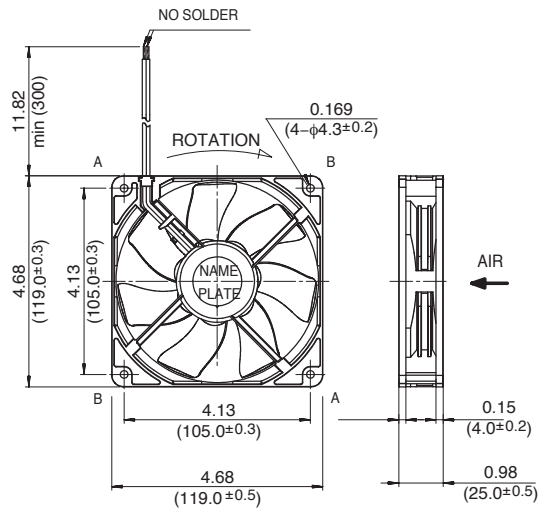
Units: $\frac{\text{inch}}{\text{mm}}$



Characteristic Curves



Outline



Specifications

MODEL	Product No.	Rated Voltage	Operating Voltage	Current	Input Power	Speed	Max. Air Flow		Max. Static Pressure		Noise	Mass
		(V)	(V)	(A) ^{*1}	(W) ^{*1}	(min ⁻¹) ^{*1}	CFM ^{*1}	(m ³ /min) ^{*1}	in H ₂ O	(Pa) ^{*1}	(dB) ^{*1}	(g)
11925SA-12J-XX-00	AA/EA	12	7.0 ~ 13.8	0.05	0.60	1300	46.9	1.33	0.06	14.0	20.5	140
11925SA-12K-XX-00	AA/EA	12	7.0 ~ 13.8	0.09	1.08	1600	57.5	1.63	0.08	21.0	26.5	140
11925SA-12L-XX-00	AA/EA	12	7.0 ~ 13.8	0.13	1.56	1900	67.1	1.90	0.11	28.5	30.0	140
11925SA-12M-XX-00	AA/EA	12	7.0 ~ 13.8	0.16	1.92	2200	79.4	2.25	0.15	38.0	33.5	140
11925SA-12N-XX-00	AA/EA	12	7.0 ~ 13.8	0.24	2.88	2500	91.1	2.58	0.19	48.0	37.0	140
11925SA-12P-XX-00	AA/EA	12	7.0 ~ 13.8	0.33	3.96	2800	102.0	2.89	0.24	60.5	40.5	140
11925SA-12Q-XX-00	AA/EA	12	7.0 ~ 13.8	0.47	5.64	3100	113.0	3.20	0.29	73.0	44.0	140
11925SA-12R-XX-00	AA/EA	12	7.0 ~ 13.2	0.62	7.44	3500	128.1	3.63	0.36	89.0	47.0	140

Rotation: Clockwise

Airflow Outlet: Air Out Over Struts

*1: Average Values in Free Air

Specifications

MODEL	Product No.	Rated Voltage	Operating Voltage	Current	Input Power	Speed	Max. Air Flow		Max. Static Pressure		Noise	Mass
		(V)	(V)	(A) ^{*1}	(W) ^{*1}	(min ⁻¹) ^{*1}	CFM ^{*1}	(m ³ /min) ^{*1}	in H ₂ O	(Pa) ^{*1}	(dB) ^{*1}	(g)
11925SA-24J-XX-00	AA/EA	24	12.0 ~ 27.6	0.03	0.72	1300	46.9	1.33	0.06	14.0	20.5	140
11925SA-24K-XX-00	AA/EA	24	12.0 ~ 27.6	0.04	0.96	1600	57.5	1.63	0.08	21.0	26.5	140
11925SA-24L-XX-00	AA/EA	24	12.0 ~ 27.6	0.06	1.44	1900	67.1	1.90	0.11	28.5	30.0	140
11925SA-24M-XX-00	AA/EA	24	12.0 ~ 27.6	0.08	1.92	2200	79.4	2.25	0.15	38.0	33.5	140
11925SA-24N-XX-00	AA/EA	24	12.0 ~ 27.6	0.11	2.64	2500	91.1	2.58	0.19	48.0	37.0	140
11925SA-24P-XX-00	AA/EA	24	12.0 ~ 27.6	0.17	4.08	2800	102.0	2.89	0.24	60.5	40.5	140
11925SA-24Q-XX-00	AA/EA	24	12.0 ~ 27.6	0.20	4.80	3100	113.0	3.20	0.29	73.0	44.0	140

Rotation: Clockwise

Airflow Outlet: Air Out Over Struts

*1: Average Values in Free Air