



## General Specifications

### Motor Protection:

Auto Restart/Polarity Protection

**Insulation Resistance:** 10M Ω or over with a DC500V Megger

**Dielectric Withstand Voltage:** AC 700V 1s

### Allowable Ambient Temperature Range:

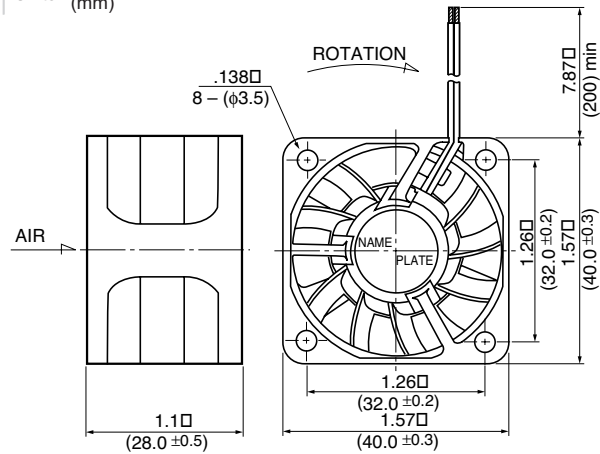
-10°C ~ +60°C (Operating)

-40°C ~ +60°C (Storage)

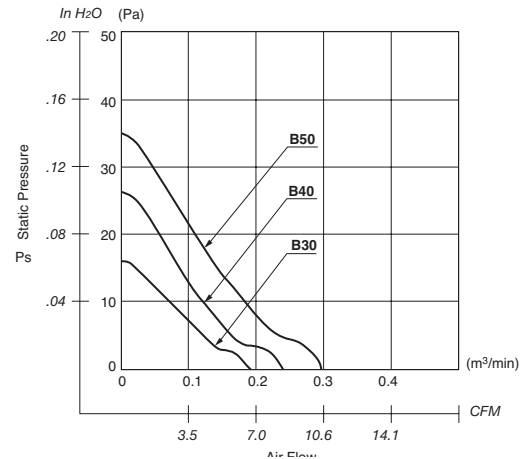
(non-condensing environment)

## Outline

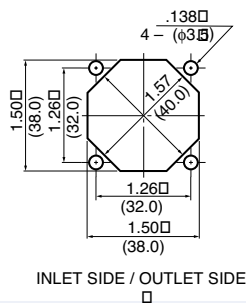
Units:  $\frac{\text{inch}}{\text{mm}}$



## Characteristic Curves



## Panel Cut-outs



INLET SIDE / OUTLET SIDE

## Material

Casing : Plastic (Black) 94V-0

Impeller : Plastic (Black) 94V-0

Bearing : Ball Bearing

Lead Wire: UL1007, AWG26, +Red, -Black

## Specifications

MODEL	Product No.	Rated Voltage	Operating Voltage	Current	Input Power	Speed	Max. Air Flow		Max. Static Pressure		Noise	Mass
		(V)	(V)	(A) <sup>*1</sup>	(W) <sup>*1</sup>	(min) <sup>-1</sup> <sup>*1</sup>	CFM <sup>*1</sup>	(m <sup>3</sup> /min) <sup>*1</sup>	in H <sub>2</sub> O	(Pa) <sup>*1</sup>	(dB) <sup>*1</sup>	(g)
1611KL-04W-B20-	X00	12	7.0 ~ 13.8	0.08	0.96	5500	8.4	0.24	.18	45.5	29.5	25
1611KL-04W-B30-	X00	12	7.0 ~ 13.8	0.13	1.56	7000	11.3	0.32	.30	76.0	35.0	25
1611KL-04W-B40-	X00	12	7.0 ~ 13.8	0.20	2.40	8500	13.7	0.39	.43	109.7	40.0	25
1611KL-04W-B50-	X00	12	6.0 ~ 13.0	0.30	3.60	9500	14.8	0.42	.47	118.1	43.0	25

Rotation: Clockwise

Airflow Outlet: Air Out Over Struts

\*1: Average Values in Free Air