

General Specifications

Motor Protection:

Auto Restart/Polarity Protection

Insulation Resistance:

10M Ω or over with a DC500V Megger

Dielectric Withstand Voltage: AC 700V 1s

Allowable Ambient Temperature Range:

-10°C ~ +60°C (Operating)

-40°C ~ +70°C (Storage)

(non-condensing environment)

Expected Life

Failure Rate: 10%

40°C 70,000 Hours (B00)

Material

Casing : Plastic (Black) 94V-0

Impeller : Plastic (Black) 94V-0

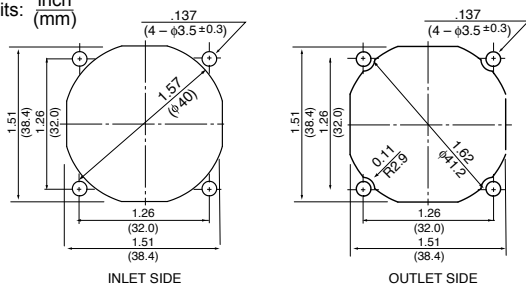
Bearing : Ball Bearing

Lead Wire : UL10368, AWG24, +Red, -Black

Tach Sig. : White PWM Control : Brown

Panel Cut-Outs

Units: inch (mm)



INLET SIDE

OUTLET SIDE

PWM Control Voltage

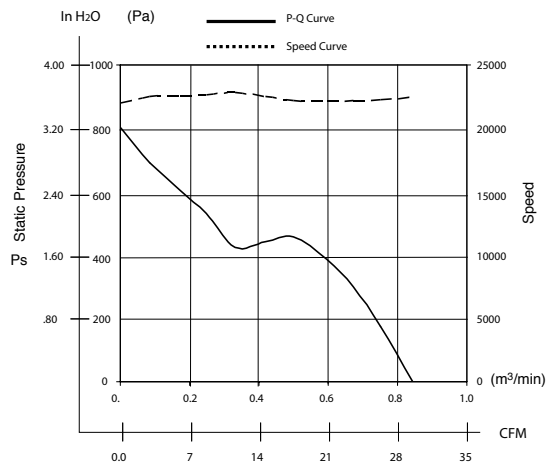
Vst = 0V ~ 0.5V Stop (On Duty 0%)

Vst = 3.3V ~ 5.0V Full Speed (On Duty 100%)

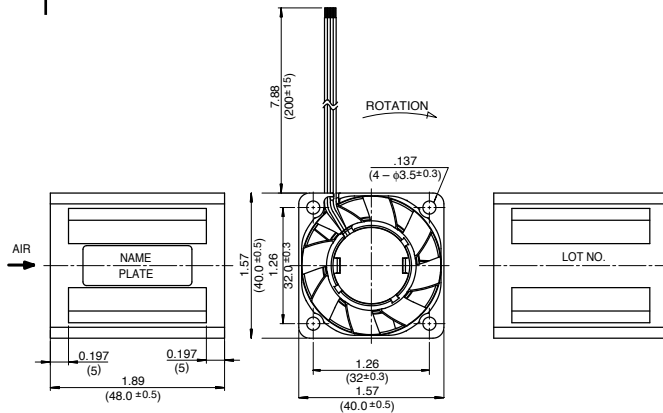
Vst = Open Full Speed

(At Ta = 25°C, rated voltage 12VDC)

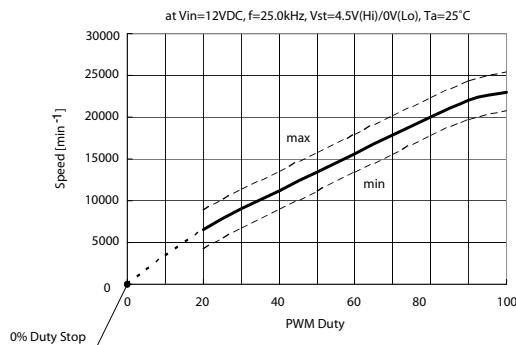
Characteristic Curves



Outline



Reference PWM Duty Vs. Speed Curve



Specifications

MODEL	Product No.	Rated Voltage	Operating Voltage	Current	Input Power	Speed	Max. Air Flow		Max. Static Pressure		Noise	Mass
		(V)	(V)	(A) ^{*1}	(W) ^{*1}	(min ⁻¹) ^{*1}	CFM ^{*1}	(m ³ /min) ^{*1}	in HzO	(Pa) ^{*1}	(dB) ^{*1}	(g)
1619FT-04W-B86-	BXX	12	10.8 ~ 13.2	1.05	12.60	23,000	28.9	0.82	3.29	820.0	62.0	71

Rotation: Clockwise

Airflow Outlet: Air Out Over Struts

*1: Average Values in Free Air