



## General Specifications

**Motor Protection:**  
Auto Restart/Polarity Protection

**Insulation Resistance:** 10M Ω or over with a DC500V Megger

**Dielectric Withstand Voltage:** AC 700V 1s

**Allowable Ambient Temperature Range:**

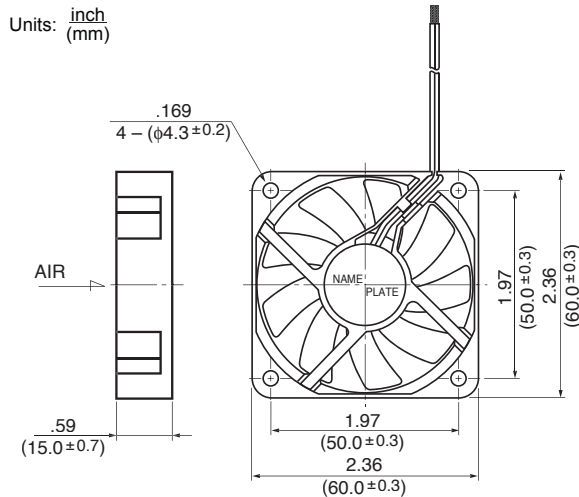
- B50 Class (TB0): -10°C ~ +60°C (Operating)
- B20 Class (TA0): -10°C ~ +70°C (Operating)
- B50 Class (TB0): -40°C ~ +60°C (Storage)
- B20 Class (TB0): -40°C ~ +70°C (Storage)

(non-condensing environment)

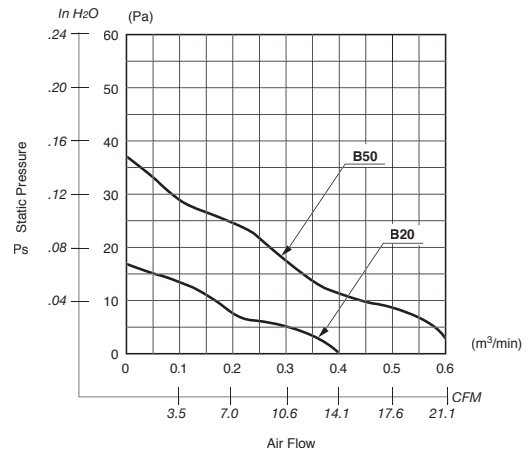
## Expected Life

**Failure Rate: 10%**  
25°C 40,000 Hours (TA0, TB0)

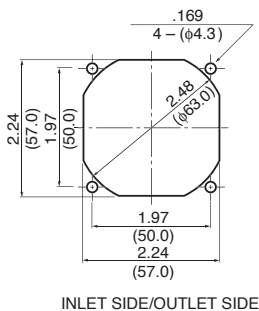
## Outline



## Characteristic Curves



## Panel Cut-outs



## Material

Casing : Plastic (Black) 94V-0  
 Impeller : Plastic (Black) 94V-0  
 Bearing : Ball Bearing  
 Lead Wire : UL1061, AWG26, +Red, -Black

## Specifications

MODEL	Product No.	Rated Voltage	Operating Voltage	Current	Input Power	Speed	Max. Air Flow		Max. Static Pressure		Noise	Mass
		(V)	(V)	(A) <sup>*1</sup>	(W) <sup>*1</sup>	(min <sup>-1</sup> ) <sup>*1</sup>	CFM <sup>*1</sup>	(m <sup>3</sup> /min) <sup>*1</sup>	in H <sub>2</sub> O	(Pa) <sup>*1</sup>	(dB) <sup>*1</sup>	(g)
2406ML-04W-B20-	TA0	12	7.0 ~ 13.8	0.05	0.66	3200	14.4	0.41	.06	23.5	23.5	40
2406ML-04W-B50-	TB0	12	7.0 ~ 13.0	0.20	2.40	4800	21.8	0.62	.15	37.5	34.0	40

Rotation: Clockwise

Airflow Outlet: Air Out Over Struts

\*1: Average Values in Free Air