

# 2410RL (60<sup>□</sup> x 25<sup>L</sup>)



EMINEBEA.COM

## General Specifications

### Motor Protection:

Automatic Restoration/Reverse  
Connection Prevention

**Insulation Resistance:** 10M Ω or over with a DC500V Megger

**Dielectric Withstand Voltage:** AC 700V 1s

**Allowable Ambient Temperature Range:**

-10°C ~ +70°C (Operating)

-40°C ~ +70°C (Storage)

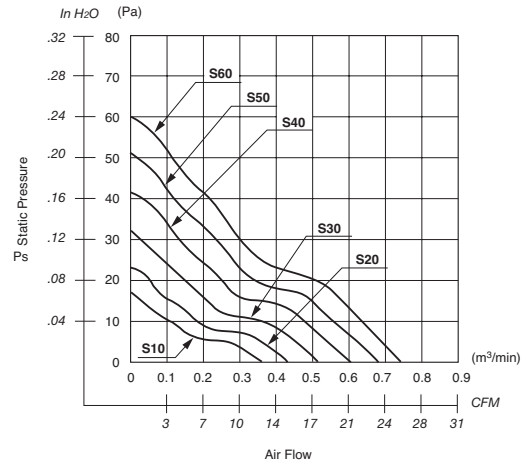
(non-condensing environment)

## Expected Life

**Failure Rate:** 10%

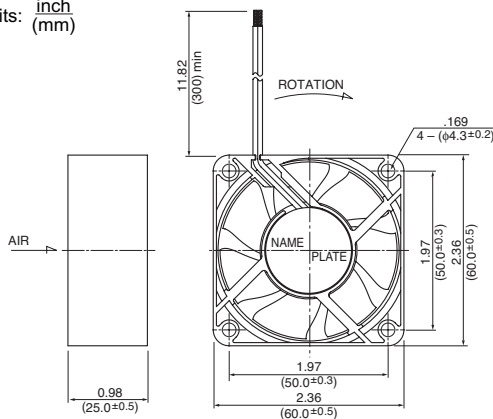
25°C 40,000 Hours (C00)

## Characteristic Curves

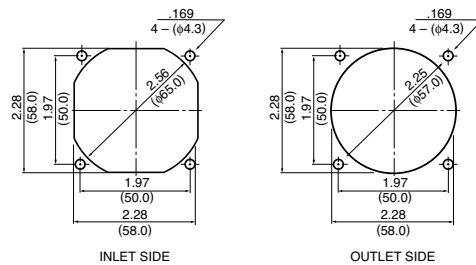


## Outline

Units:  $\frac{\text{inch}}{\text{mm}}$



## Panel Cut-outs



## Material

Casing : Plastic (Black) 94V-0

Impeller : Plastic (Black) 94V-0

Bearing : Sleeve Bearing

Lead Wire : UL10368, AWG24, +Red, -Black

## Specifications

MODEL	Product No.	Rated Voltage	Operating Voltage	Current	Input Power	Speed	Max. Air Flow		Max. Static Pressure		Noise	Mass
		(V)	(V)				CFM <sup>*1</sup>	(m <sup>3</sup> /min) <sup>*1</sup>	in H <sub>2</sub> O	(Pa) <sup>*1</sup>		
2410RL-04W-S10-	X00	12	6.0 ~ 13.8	0.06	0.72	2550	13.06	0.37	.06	17.2	19.0	60
2410RL-04W-S20-	X00	12	6.0 ~ 13.8	0.09	1.08	3000	15.50	0.44	.09	23.4	22.5	60
2410RL-04W-S30-	X00	12	6.0 ~ 13.8	0.11	1.32	3550	18.39	0.52	.13	32.3	27.0	60
2410RL-04W-S40-	X00	12	6.0 ~ 13.8	0.13	1.56	4050	21.54	0.61	.16	41.7	30.5	60
2410RL-04W-S50-	X00	12	6.0 ~ 13.8	0.16	1.92	4500	24.01	0.68	.20	51.3	33.5	60
2410RL-04W-S60-	X00	12	6.0 ~ 13.8	0.22	2.64	4900	26.48	0.75	.24	60.3	36.5	60
2410RL-05W-S10-	X00	24	15.0 ~ 27.6	0.04	0.96	2550	13.06	0.37	.06	17.2	19.0	60
2410RL-05W-S20-	X00	24	15.0 ~ 27.6	0.05	1.20	3000	15.54	0.44	.09	23.4	22.5	60
2410RL-05W-S30-	X00	24	15.0 ~ 27.6	0.07	1.68	3550	18.36	0.52	.13	32.3	27.0	60
2410RL-05W-S40-	X00	24	15.0 ~ 27.6	0.08	1.92	4050	21.54	0.61	.16	41.7	30.5	60
2410RL-05W-S50-	X00	24	10.0 ~ 27.6	0.08	1.92	4500	24.01	0.68	.20	51.3	33.5	60
2410RL-05W-S60-	X00	24	10.0 ~ 27.6	0.09	2.16	4900	26.48	0.75	.24	60.3	36.5	60

Rotation: Clockwise

Airflow Outlet: Air Out Over Struts

\*1: Average Values in Free Air