



General Specifications

Motor Protection:

Auto Restart/Polarity Protection/Hot Swap: Available

Insulation Resistance:

min 10M Ω by DC500V Megger

Dielectric Withstand Voltage: AC 700V 1s

Allowable Ambient Temperature Range:

-10°C ~ +60°C (Operating)

-40°C ~ +60°C (Storage)

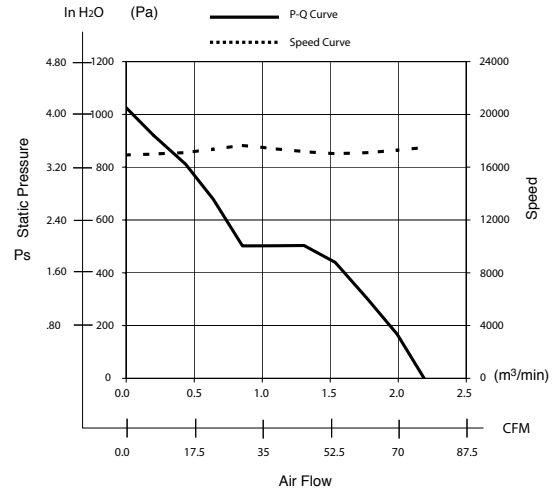
(non-condensing environment)

Expected Life

Failure Rate: 10%

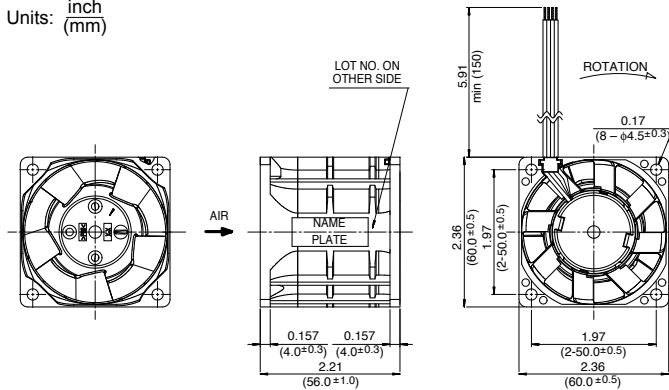
40°C 60,000 Hours

Characteristic Curves

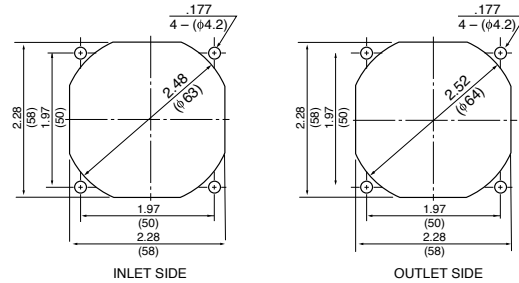


Outline

Units: $\frac{\text{inch}}{\text{mm}}$



Panel Cut-outs



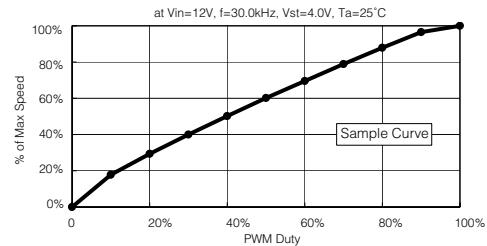
Material

- Casing : Plastic (Black) 94V-0
- Impeller : Plastic (Black) 94V-0
- Bearing : Ball Bearing
- Lead Wire: UL3385, AWG24, +Red, -Black
- Tach Sig. : White PWM Control : Brown

PWM Control Voltage

- Vst = 0V ~ 0.3V Low Speed Duty 0% = Low Speed
- Vst = 3.5V ~ 4.5V High Speed Duty 100% = Full Speed
- Vst = Open High Speed Duty 100% = Full Speed
- I_{PWM} = max 1.2mA
- (At Ta = 25°C, rated voltage + 12VDC and f=30.0 kHz)

Reference PWM Duty vs Speed Curve



Specifications

MODEL	Product No.	Rated Voltage	Operating Voltage	Current	Input Power	Speed	Max. Flow		Max. Static Pressure		Noise	Mass
		(V)	(V)	(A) ^{*1}	(W) ^{*1}	(min ⁻¹) ^{*1}	Air CFM ^{*1}	(m³/min) ^{*1}	in H ₂ O	(Pa) ^{*1}	(dB) ^{*1}	(g)
2422FT-D4W-B86-	EXX	12	10.8 ~ 13.2	2.65	31.80	17,500	77.3	2.19	4.11	1025.0	66.0	162

Rotation: Clockwise

Airflow Outlet: Air Out Over Struts

*1: Average Values in Free Air