



General Specifications

Motor Protection:
Auto Restart/Polarity Protection

Insulation Resistance: 10M Ω or over with a DC500V Megger

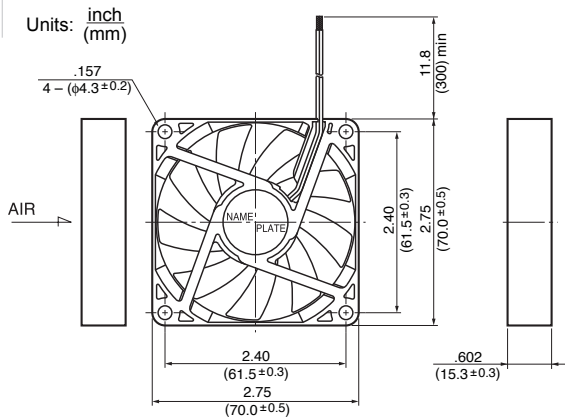
Dielectric Withstand Voltage: AC 700V 1s

Allowable Ambient Temperature Range:
-10°C ~ +70°C (Operating)
-40°C ~ +70°C (Storage)
(non-condensing environment)

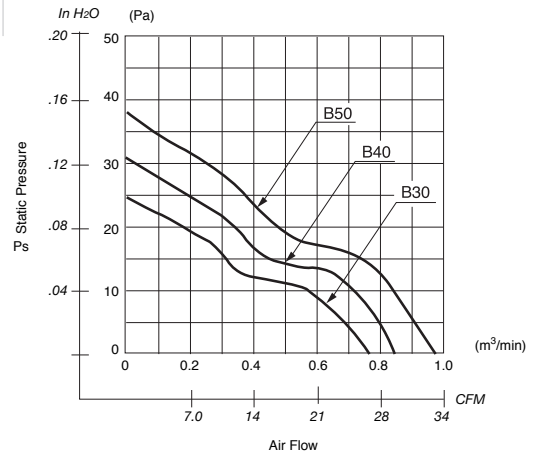
Expected Life

Failure Rate: 10%
25°C 60,000 Hours (CXX)

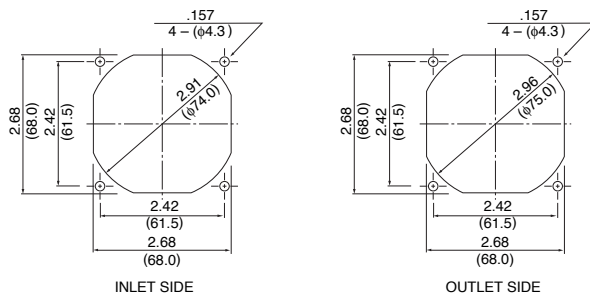
Outline



Characteristic Curves



Panel Cut-outs



Material

Casing : Plastic (Black) 94V-0
Impeller : Plastic (Black) 94V-0
Bearing : Ball Bearing
Lead Wire : UL1007, AWG24, +Red, -Black

Specifications

MODEL	Product No.	Rated Voltage	Operating Voltage	Current	Input Power	Speed	Max. Air Flow		Max. Static Pressure		Noise	Mass
		(V)	(V)	(A) ^{*1}	(W) ^{*1}	(min ⁻¹) ^{*1}	CFM ^{*1}	(m³/min) ^{*1}	in H ₂ O	(Pa) ^{*1}	(dB) ^{*1}	(g)
2806RL-04W-B30-	C00	12	6.5 ~ 13.8	0.13	1.56	3400	27.1	0.77	.09	24.5	31.5	50
2806RL-04W-B40-	C00	12	6.5 ~ 13.8	0.16	1.92	3800	30.0	0.85	.12	31.0	34.5	50
2806RL-04W-B50-	C00	12	6.5 ~ 12.2	0.25	2.88	4300	34.6	0.98	.15	38.0	37.5	50

Rotation: Clockwise

Airflow Outlet: Air Out Over Struts

*1: Average Values in Free Air