

3110RL (80[□]x25^L)



EMINEBEA.COM

General Specifications

Motor Protection:

Automatic Restoration/Reverse
Connection Prevention

Insulation Resistance: 10M Ω or over with a DC500V Megger

Dielectric Withstand Voltage: AC 700V 1s

Allowable Ambient Temperature Range:

B80 Class: -10°C ~ +50°C (Operating)
B60, B70 Class: -10°C ~ +60°C (Operating)
B10~B40 Class: -10°C ~ +70°C (Operating)
All Class: -40°C ~ +70°C (Storage)
(non-condensing environment)

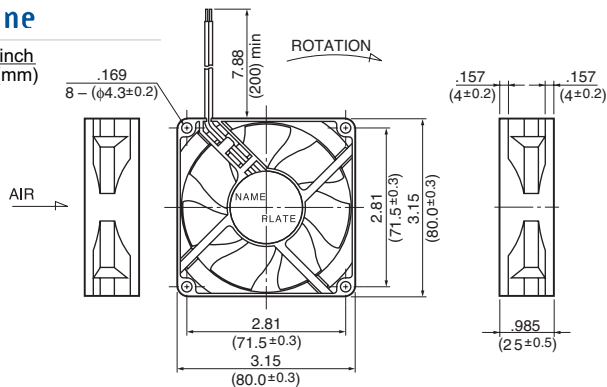
Expected Life

Failure Rate: 10%

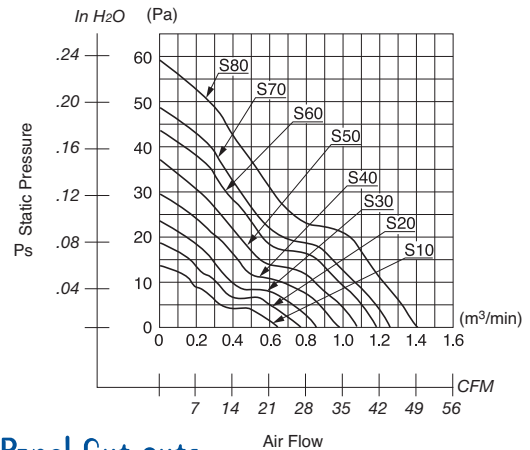
25°C 40,000 Hours (F00)

Outline

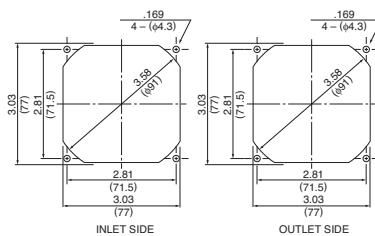
Units: $\frac{\text{inch}}{\text{mm}}$



Characteristic Curves



Panel Cut-outs



Material

Casing : Plastic (Black) 94V-0
Impeller : Plastic (Black) 94V-0
Bearing : Sleeve Bearing
Lead Wire : UL10368, AWG24, +Red, -Black

Specifications

MODEL	Product No.	Rated Voltage	Operating Voltage	Current	Input Power	Speed	Max. Air Flow		Max. Static Pressure		Noise	Mass
		(V)	(V)	(A) ^{*1}	(W) ^{*1}	(min) ⁻¹	CFM ^{*1}	(m ³ /min) ^{*1}	in H ₂ O	(Pa) ^{*1}	(dB) ^{*1}	(g)
3110RL-04W-S10-	X00	12	6.0 ~ 13.8	0.07	0.84	1900	24.01	0.68	.05	14.2	22.0	80
3110RL-04W-S20-	X00	12	6.0 ~ 13.8	0.10	1.20	2150	27.54	0.78	.07	19.5	24.5	80
3110RL-04W-S30-	X00	12	6.0 ~ 13.8	0.13	1.56	2400	31.07	0.88	.09	24.3	27.0	80
3110RL-04W-S40-	X00	12	6.0 ~ 13.8	0.19	2.28	2700	34.96	0.99	.12	30.5	30.0	80
3110RL-04W-S50-	X00	12	6.0 ~ 13.8	0.25	3.00	2950	38.49	1.09	.14	36.6	32.5	80
3110RL-04W-S60-	X00	12	6.0 ~ 13.8	0.34	4.08	3250	42.37	1.20	.18	44.7	35.0	80
3110RL-04W-S70-	X00	12	6.0 ~ 13.8	0.34	4.08	3400	44.49	1.26	.19	48.6	36.0	80
3110RL-04W-S80-	X00	12	6.0 ~ 13.0	0.50	6.00	3800	50.14	1.42	.24	60.0	39.0	80
3110RL-05W-S10-	X00	24	10.0 ~ 27.6	0.04	0.96	1900	24.01	0.68	.05	14.2	22.0	80
3110RL-05W-S20-	X00	24	10.0 ~ 27.6	0.06	1.44	2150	27.54	0.78	.07	19.5	24.5	80
3110RL-05W-S30-	X00	24	10.0 ~ 27.6	0.07	1.68	2400	31.07	0.88	.09	24.3	27.0	80
3110RL-05W-S40-	X00	24	10.0 ~ 27.6	0.09	2.16	2700	34.96	0.99	.12	30.5	30.0	80
3110RL-05W-S50-	X00	24	10.0 ~ 27.6	0.14	3.36	2950	38.49	1.09	.14	36.6	32.5	80
3110RL-05W-S60-	X00	24	10.0 ~ 27.6	0.16	3.84	3250	42.37	1.20	.18	44.7	35.0	80
3110RL-05W-S70-	X00	24	10.0 ~ 27.6	0.18	4.32	3400	44.49	1.26	.19	48.6	36.0	80
3110RL-05W-S80-	X00	24	10.0 ~ 27.6	0.23	5.52	3800	50.14	1.42	.24	60.0	39.0	80

Rotation: Clockwise

Airflow Outlet: Air Out Over Struts

*1: Average Values in Free Air