



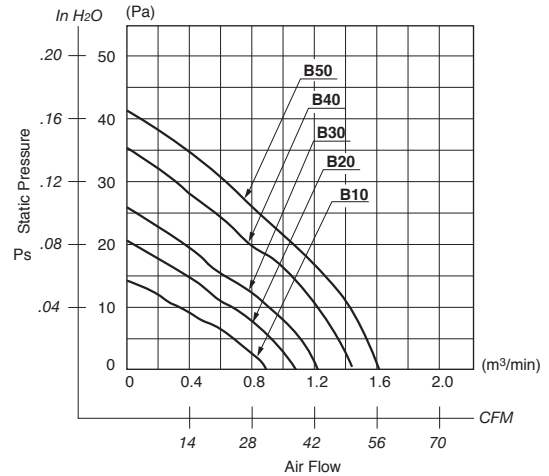
General Specifications

- Motor Protection:**
Auto Restart/Polarity Protection
- Insulation Resistance:** 10M Ω or over with a DC500V Megger
- Dielectric Withstand Voltage:** AC 700V 1s
- Allowable Ambient Temperature Range:**
 - B60 Class: -10°C ~ +50°C (Operating)
 - B10~B50 Class: -10°C ~ +70°C (Operating)
 - All Class: -40°C ~ +70°C (Storage)
(non-condensing environment)

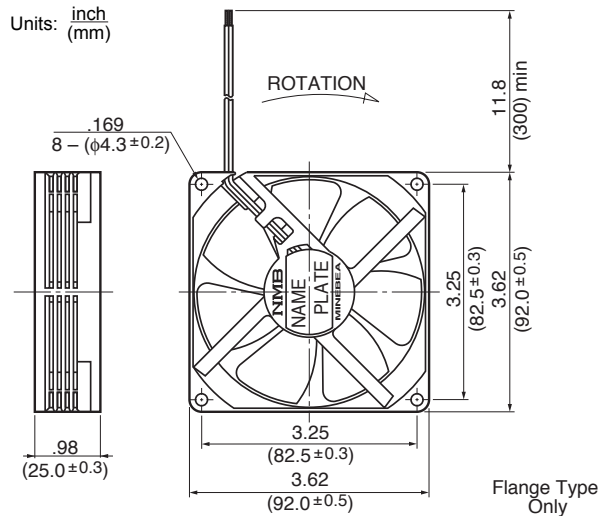
Expected Life

Failure Rate: 10%
25°C 60,000 Hours (X00)

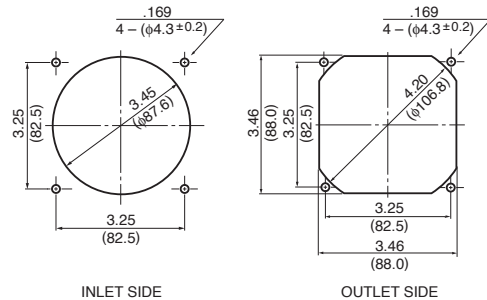
Characteristic Curves



Outline



Panel Cut-outs



Material

- Casing : Plastic (Black) 94V-0
- Impeller : Plastic (Black) 94V-0
- Bearing : Ball Bearing
- Lead Wire: UL1007, AWG26, +Red, -Black

Specifications

MODEL	Product No.	Rated Voltage	Operating Voltage	Current	Input Power	Speed	Max. Air Flow		Max. Static Pressure		Noise	Mass
		(V)	(V)	(A) ^{*1}	(W) ^{*1}	(min ⁻¹) ^{*1}	CFM ^{*1}	(m ³ /min) ^{*1}	in H ₂ O	(Pa) ^{*1}	(dB) ^{*1}	(g)
3610KL-04W-B10-	X00	12	6.0 ~ 13.8	0.07	0.84	1750	31.4	0.89	.05	14.1	25.0	95
3610KL-04W-B20-	X00	12	6.0 ~ 13.8	0.11	1.32	2100	38.1	1.08	.08	20.5	27.0	95
3610KL-04W-B30-	X00	12	6.0 ~ 13.8	0.16	1.92	2450	43.0	1.22	.10	26.0	30.5	95
3610KL-04W-B40-	X00	12	6.0 ~ 13.8	0.22	2.64	2850	50.8	1.44	.14	35.4	34.0	95
3610KL-04W-B50-	X00	12	6.0 ~ 13.0	0.32	3.84	3200	56.8	1.61	.17	42.0	37.0	95
3610KL-04W-B60-	X00	12	6.0 ~ 12.6	0.43	5.16	3600	62.8	1.78	.20	50.0	39.5	95
3610KL-05W-B10-	X00	24	10.0 ~ 27.6	0.05	1.20	1750	31.4	0.89	.05	14.1	25.0	95
3610KL-05W-B20-	X00	24	10.0 ~ 27.6	0.06	1.44	2100	38.1	1.08	.08	20.5	27.0	95
3610KL-05W-B30-	X00	24	10.0 ~ 27.6	0.09	2.16	2450	43.0	1.22	.10	26.0	30.5	95
3610KL-05W-B40-	X00	24	10.0 ~ 27.6	0.12	2.88	2850	50.8	1.44	.14	35.4	34.0	95
3610KL-05W-B50-	X00	24	10.0 ~ 25.0	0.16	3.84	3200	56.8	1.61	.17	42.0	37.0	95

Rotation: Clockwise

Airflow Outlet: Air Out Over Struts

*1: Average Values in Free Air