

General Specifications

Motor Protection:

Auto Restart/Polarity Protection

Insulation Resistance:

10M Ω or over with a DC500V Megger

Dielectric Withstand Voltage: AC 700V 1s

Allowable Ambient Temperature Range:

-10°C ~ +70°C (Operating)

-40°C ~ +70°C (Storage)

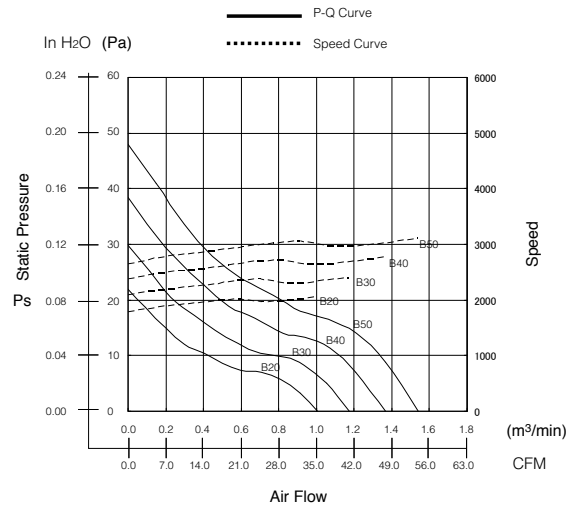
(non-condensing environment)

Expected Life

Failure Rate: 10%

25°C 100,000 Hours (B00/E00)

Characteristic Curves



Material

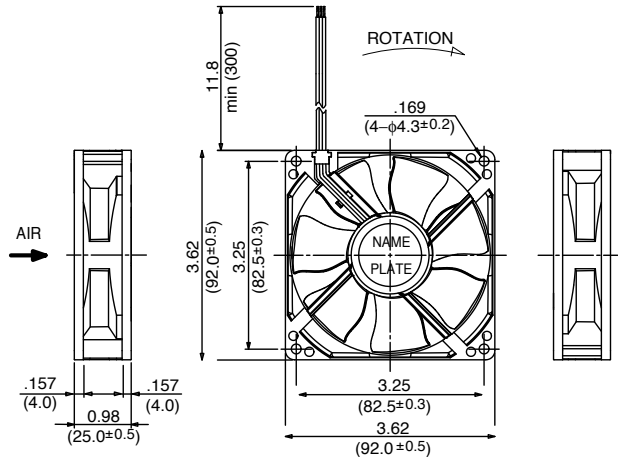
Casing : Plastic (Black) 94V-0

Impeller : Plastic (Black) 94V-0

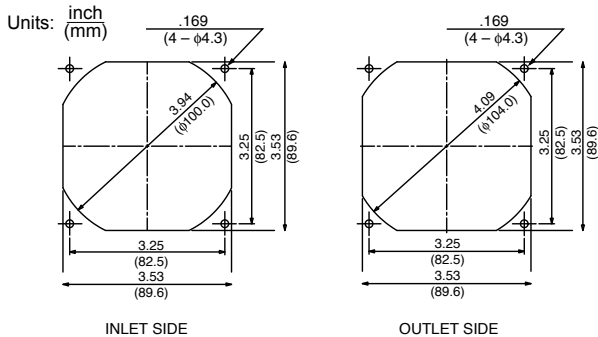
Bearing : Ball Bearing

Lead Wire : UL3385, AWG26, +Red, -Black

Outline



Panel Cut-Outs



Specifications

| MODEL | Product No. | Rated Voltage | Operating Voltage | Current | Input Power | Speed | Max. Air Flow | | Max. Static Pressure | | Noise | Mass |
|-----------------|-------------|---------------|-------------------|-------------------|-------------------|------------------------------------|-------------------|-------------------------------------|----------------------|--------------------|--------------------|------|
| | | (V) | (V) | (A) ^{*1} | (W) ^{*1} | (min ⁻¹) ^{*1} | CFM ^{*1} | (m ³ /min) ^{*1} | in H ₂ O | (Pa) ^{*1} | (dB) ^{*1} | (g) |
| 3610SB-04W-B20- | B/EXX | 12 | 6 ~ 13.8 | 0.07 | 0.84 | 2050 | 35.7 | 1.01 | 0.09 | 21.5 | 25.0 | 95 |
| 3610SB-04W-B30- | B/EXX | 12 | 6 ~ 13.8 | 0.10 | 1.20 | 2400 | 41.3 | 1.17 | 0.12 | 29.5 | 28.0 | 95 |
| 3610SB-04W-B40- | B/EXX | 12 | 6 ~ 13.8 | 0.13 | 1.56 | 2750 | 48.4 | 1.37 | 0.15 | 38.4 | 32.0 | 95 |
| 3610SB-04W-B50- | B/EXX | 12 | 6 ~ 13.8 | 0.15 | 1.80 | 3100 | 54.4 | 1.54 | 0.19 | 47.9 | 35.0 | 95 |
| 3610SB-05W-B20- | B/EXX | 24 | 12 ~ 27.6 | 0.04 | 0.84 | 2050 | 35.7 | 1.01 | 0.09 | 21.5 | 25.0 | 95 |
| 3610SB-05W-B30- | B/EXX | 24 | 12 ~ 27.6 | 0.05 | 1.20 | 2400 | 41.3 | 1.17 | 0.12 | 29.5 | 28.0 | 95 |
| 3610SB-05W-B40- | B/EXX | 24 | 12 ~ 27.6 | 0.07 | 1.56 | 2750 | 48.4 | 1.37 | 0.15 | 38.4 | 32.0 | 95 |
| 3610SB-05W-B50- | B/EXX | 24 | 12 ~ 27.6 | 0.08 | 1.80 | 3100 | 54.4 | 1.54 | 0.19 | 47.9 | 35.0 | 95 |

Rotation: Clockwise

Airflow Outlet: Air Out Over Struts

*1: Average Values in Free Air