



General Specifications

Motor Protection:

Auto Restart/Polarity Protection/Hot Swap: Available

Insulation Resistance:

min 10M Ω by DC500V Megger

Dielectric Withstand Voltage: AC 700V 1s

Allowable Ambient Temperature Range:

-10°C ~ +60°C (Operating)

-40°C ~ +60°C (Storage)

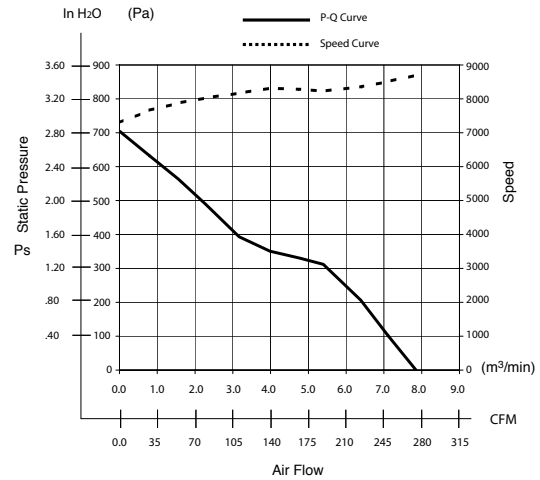
(non-condensing environment)

Expected Life

Failure Rate: 10%

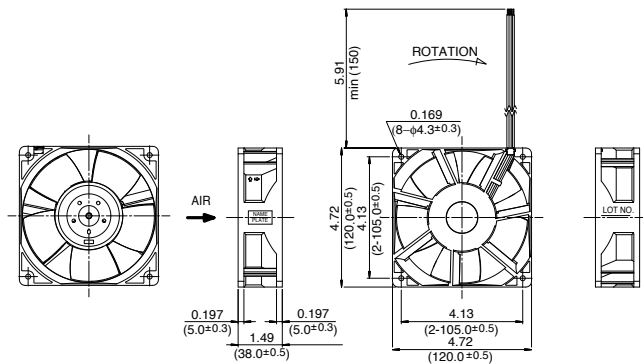
40°C 60,000 Hours

Characteristic Curves

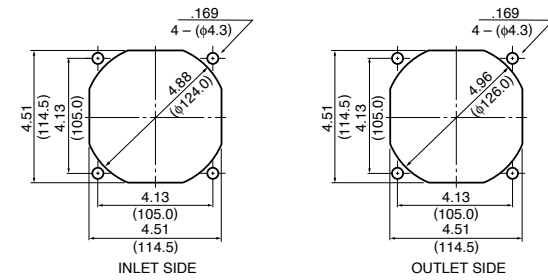


Outline

Units: $\frac{\text{inch}}{\text{mm}}$



Panel Cut-outs



Material

Casing : Plastic (Black) 94V-0

Impeller : Plastic (Black) 94V-0

Bearing : Ball Bearing

Lead Wire: UL3385, AWG20 or 22, +Red, -Black

Tach Sig. : White AWG22 or 24

PWM Control : Brown AWG22 or 24

PWM Control Voltage

V_{st} = 0V ~ 0.3V

Low Speed Duty 0% = Low Speed

V_{st} = 3.5V ~ 4.5V

High Speed Duty 100% = Full Speed

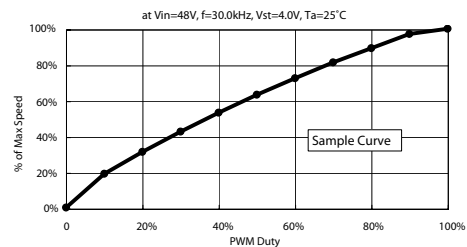
V_{st} = Open

High Speed Duty 100% = Full Speed

I_{PWM} = max 1.2mA

(At T_a = 25°C, rated voltage + 48VDC and f=30.0 kHz)

Reference PWM Duty vs Speed Curve



Specifications

MODEL	Product No.	Rated Voltage	Operating Voltage	Current	Input Power	Speed	Max. Air Flow		Max. Static Pressure		Noise	Mass
		(V)	(V)	(A) ^{*1}	(W) ^{*1}	(min) ⁻¹	CFM ^{*1}	(m³/min) ^{*1}	in H ₂ O	(Pa) ^{*1}	(dB) ^{*1}	(g)
4715FT-D7W-B86-	EXX	48	43.2 ~ 52.8	1.05	50.40	8,700	277.1	7.85	2.83	705.0	72.5	395

Rotation: Clockwise

Airflow Outlet: Air Out Over Struts

*1: Average Values in Free Air