

General Specifications

- Motor Protection:**
Auto Restart/Polarity Protection
- Insulation Resistance:**
10M Ω or over with a DC500V Megger
- Dielectric Withstand Voltage:** AC 700V 1s
- Allowable Ambient Temperature Range:**
-10°C ~ +60°C (Operating)
-40°C ~ +70°C (Storage)
(non-condensing environment)

Expected Life

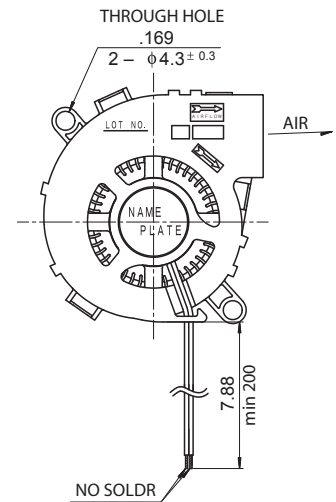
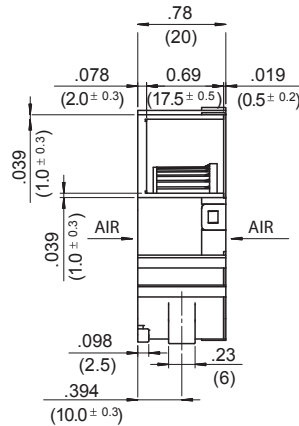
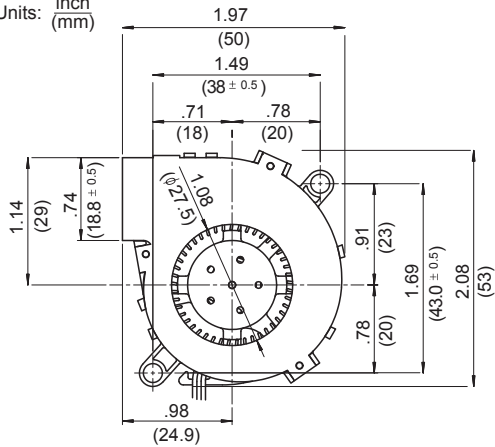
- Failure Rate: 10%**
25°C 50,000 Hours (L00)

Material

- Casing : Plastic (Black) 94V-0 (Lower)
: Steel (Upper)
- Impeller : Plastic (Black) 94V-0
- Bearing : Ball Bearing

Outline

Units: inch (mm)



Specifications

MODEL	Product No.	Rated Voltage	Operating Voltage	Current	Input Power	Speed	Max. Air Flow		Max. Static Pressure		Noise	Mass
		(V)	(V)	(A) ^{*1}	(W) ^{*1}	(min ⁻¹) ^{*1}	CFM ^{*1}	(m ³ /min) ^{*1}	in H ₂ O	(Pa) ^{*1}	(dB) ^{*1}	(g)
BM5020-01W-B30-	L00	5	4.5 ~ 5.5	0.34	1.70	4600	4.6	0.13	.50	124	27.0	30
BM5020-04W-B20-	L00	12	4.5 ~ 13.8	0.07	0.84	3600	3.5	0.10	.30	75	20.0	30
BM5020-04W-B30-	L00	12	4.5 ~ 13.8	0.12	1.44	4600	4.6	0.13	.50	124	27.0	30
BM5020-04W-B40-	L00	12	4.5 ~ 13.8	0.18	2.16	5600	5.6	0.16	.74	184	32.0	30
BM5020-05W-B40-	L00	24	12.0 ~ 25.2	0.08	1.92	5600	5.6	0.16	.74	184	32.0	30

Rotation: Counterclockwise

*1: Average Values in Free Air

Characteristic Curves

