

# FBA06T (60<sup>□</sup> X 15<sup>L</sup>)



EMINEBEA.COM

## General Specifications

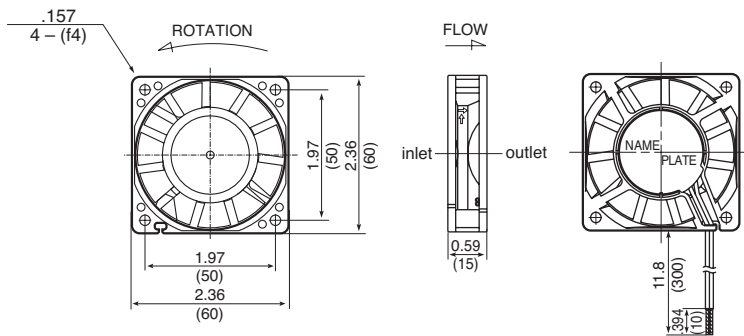
**Allowable Ambient Temperature Range:**  
 -10°C ~ +70°C (65% RH) (Operating)  
 -40°C ~ +75°C (65% RH) (Storage)  
 (non-condensing environment)

## Expected Life

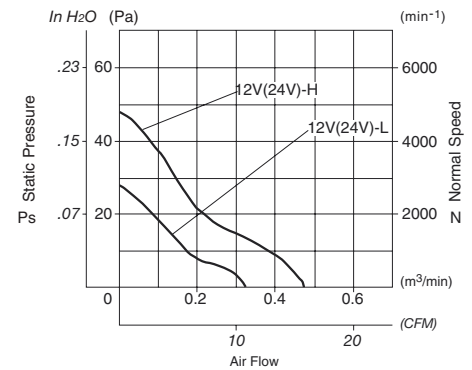
**Failure Rate: 10%**  
 20,000 Hours (25°C, 65%RH)

## Outline

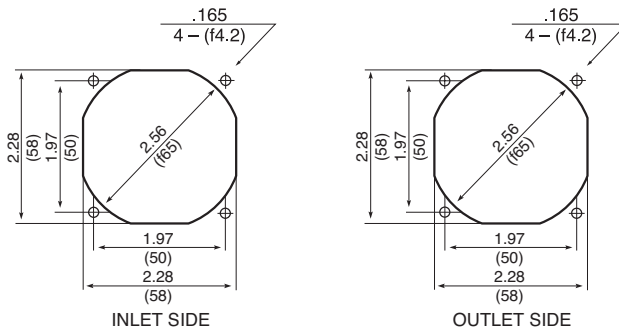
Units:  $\frac{\text{inch}}{\text{(mm)}}$



## Characteristic Curves



## Panel Cut-outs



## Material

Bearing: Hydro Wave Bearing

## Specifications

MODEL	Rated Voltage	Operating Voltage	Current	Input Power	Rated Speed	Max. Flow		Max. Static Pressure		Noise	Mass
	(V)	(V)	(A) <sup>*1</sup>	(W) <sup>*1</sup>	(min <sup>-1</sup> ) <sup>*1</sup>	CFM <sup>*1</sup>	(m <sup>3</sup> /min) <sup>*1</sup>	in H <sub>2</sub> O	(Pa) <sup>*1</sup>	(dB) <sup>*1</sup>	(g)
FBA06T 12L	12	7.0 ~ 13.8	86	1.06	3200	12.0	0.34	.11	27.5	24.0	50
FBA06T 12H	12	7.0 ~ 13.8	145	1.74	4200	16.6	0.47	.18	46.6	32.0	50
FBA06T 24L	24	14.0 ~ 27.6	56	1.34	3200	12.0	0.34	.11	27.5	24.0	50
FBA06T 24H	24	14.0 ~ 27.6	83	1.99	4200	16.6	0.47	.18	46.6	32.0	50

Rotation: Clockwise

Airflow Outlet: Air Out Over Struts

\*1: Average Values in Free Air