

FBA08J14L (80[□] x 15^L)



EMINEBEA.COM

General Specifications

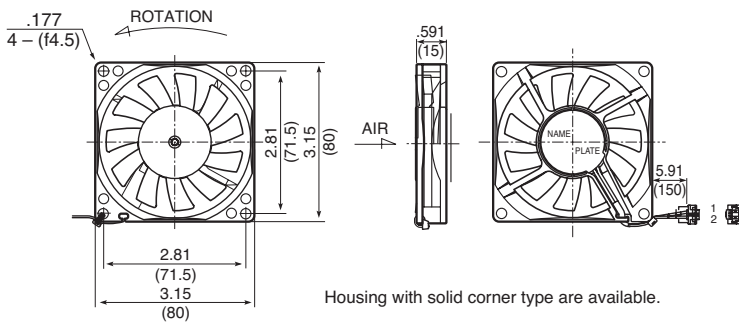
Allowable Ambient Temperature Range:
 -30°C ~ +50°C (65%RH) (Operating)
 -40°C ~ +70°C (65%RH) (Storage)
 (non-condensing environment)

Expected Life

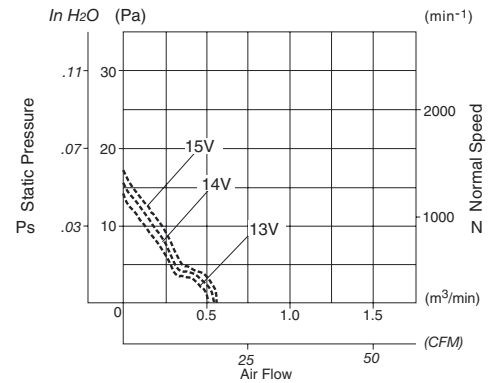
Failure Rate: 10%
 88,000 Hours (0°C)

Outline

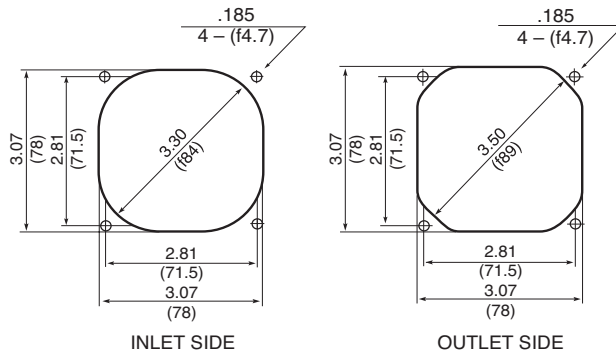
Units: $\frac{\text{inch}}{\text{(mm)}}$



Characteristic Curves



Panel Cut-outs



Material

Bearing: Hydro Wave Bearing

Specifications

MODEL	Rated Voltage	Operating Voltage	Current	Input Power	Rated Speed	Max. Air Flow		Max. Static Pressure		Noise	Mass
	(V)	(V)	(A) ^{*1}	(W) ^{*1}	(min ⁻¹) ^{*1}	CFM ^{*1}	(m ³ /min) ^{*1}	in H ₂ O	(Pa) ^{*1}	(dB) ^{*1}	(g)
FBA08J14L	14	9.0 ~ 15.0	70	0.98	2400	19.0	0.54	.06	15.5	26.0	70

Rotation: Clockwise

Airflow Outlet: Air Out Over Struts

*1: Average Values in Free Air