

## General Specifications

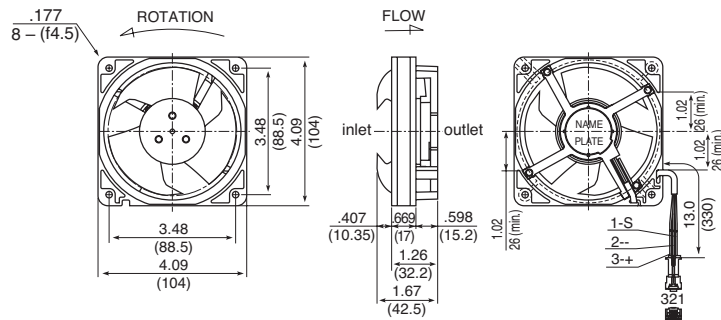
**Allowable Ambient Temperature Range:**  
 -10°C ~ +70°C (65%RH) (Operating)  
 -40°C ~ +70°C (65%RH) (Storage)  
 (non-condensing environment)

## Expected Life

**Failure Rate: 10%**  
 50,000 Hours (40°C)

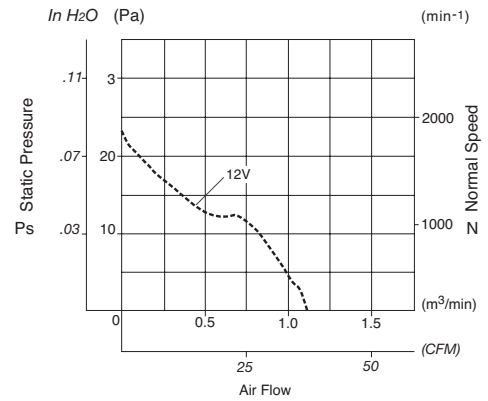
## Outline

Units:  $\frac{\text{inch}}{\text{mm}}$

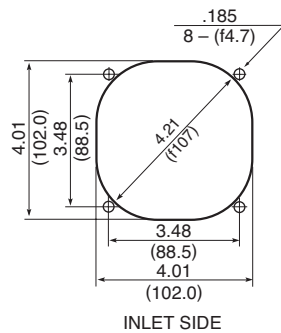


Housing with solid corner type are available.

## Characteristic Curves



## Panel Cut-outs



## Material

Bearing: Hydro Wave Bearing

## Specifications

MODEL	Rated Voltage	Operating Voltage	Current	Input Power	Rated Speed	Max. Air Flow		Max. Static Pressure		Noise	Mass
	(V)	(V)	(A) <sup>*1</sup>	(W) <sup>*1</sup>	(min <sup>-1</sup> ) <sup>*1</sup>	CFM <sup>*1</sup>	(m <sup>3</sup> /min) <sup>*1</sup>	in H <sub>2</sub> O	(Pa) <sup>*1</sup>	(dB) <sup>*1</sup>	(g)
FBA10J12L	12	7.0 ~ 14.0	121	1.45	2200	38.8	1.1	.08	22.0	30.0	170

Rotation: Clockwise

Airflow Outlet: Air Out Over Struts

\*1: Average Values in Free Air