

General Specifications

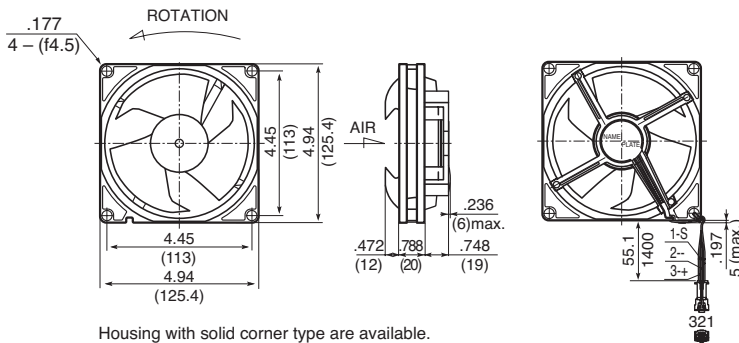
Allowable Ambient Temperature Range:
 -40°C ~ +40°C (65%RH) (Operating)
 -40°C ~ +70°C (65%RH) (Storage)
 (non-condensing environment)

Expected Life

Failure Rate: 10%
 40,000 Hours (-20°C)
 (non-condensing environment)

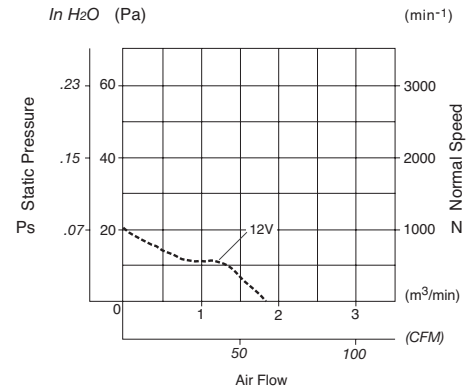
Outline

Units: $\frac{\text{inch}}{\text{mm}}$

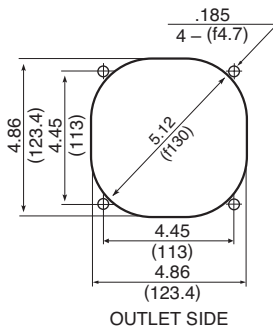


Housing with solid corner type are available.

Characteristic Curves



Panel Cut-outs



Material

Bearing: Hydro Wave Bearing

Specifications

MODEL	Rated Voltage	Operating Voltage	Current	Input Power	Rated Speed	Max. Air Flow		Max. Static Pressure		Noise	Mass
	(V)	(V)	(A) ^{*1}	(W) ^{*1}	(min ⁻¹) ^{*1}	CFM ^{*1}	(m ³ /min) ^{*1}	in H ₂ O	(Pa) ^{*1}	(dB) ^{*1}	(g)
FBA12J12M	12	7.0 ~ 14.0	235	2.82	2000	65.3	1.85	.09	24.0	32.0	190

Rotation: Clockwise

Airflow Outlet: Air Out Over Struts

*1: Average Values in Free Air