

FBE06T (60[□] x 15^L)



EMINEBEA.COM

General Specifications

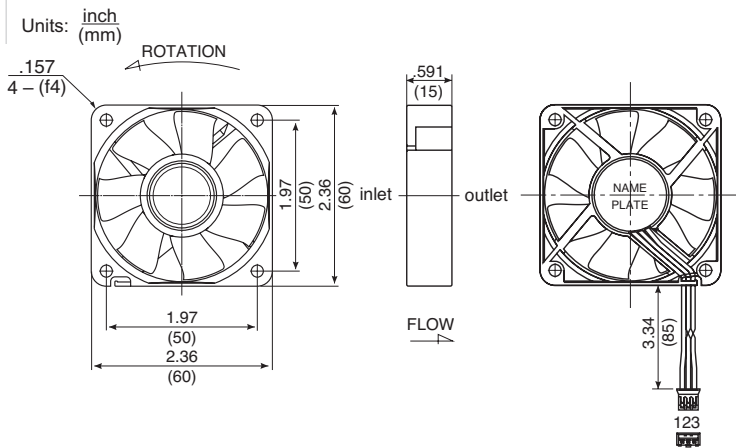
Allowable Ambient Temperature Range:

- 10°C ~ +70°C (65% RH) (Operating)
- 40°C ~ +75°C (65% RH) (Storage)
- (non-condensing environment)

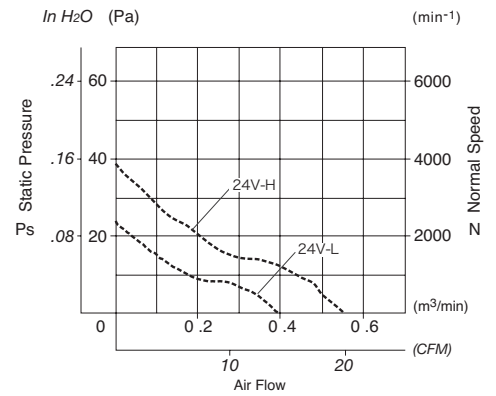
Expected Life

- Failure Rate: 10%
- 80,000 Hours (45°C, 65%RH, MTTF)

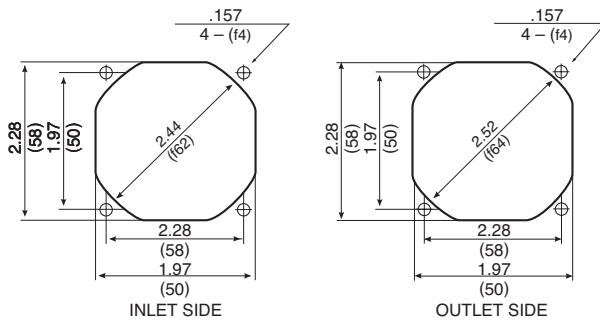
Outline



Characteristic Curves



Panel Cut-outs



Material

Bearing: Center Free Sleeve

Specifications

MODEL	Rated Voltage	Operating Voltage	Current	Input Power	Rated Speed	Max. Air Flow		Max. Static Pressure		Noise	Mass
	(V)	(V)	(A) ^{*1}	(W) ^{*1}	(min ⁻¹) ^{*1}	CFM ^{*1}	(m ³ /min) ^{*1}	in H ₂ O	(Pa) ^{*1}	(dB) ^{*1}	(g)
FBE06T 12L	12	7.0 ~ 13.8	52	0.62	3200	14.5	0.41	.09	24.0	24.5	35
FBE06T 12H	12	7.0 ~ 13.8	102	1.23	4100	19.4	0.55	.15	39.0	32.0	35
FBE06T 24L	24	14.0 ~ 27.6	26	0.62	3200	14.5	0.41	.09	24.0	24.5	35
FBE06T 24H	24	14.0 ~ 27.6	43	1.03	4100	19.4	0.55	.15	39.0	32.0	35

Rotation: Clockwise

Airflow Outlet: Air Out Over Struts

*1: Average Values in Free Air