

FBL06A (60[□] x 25.5^L)



EMINEBEA.COM

THIS MODEL IS NO LONGER AVAILABLE FOR NEW DESIGNS
See other models available in this frame size here - 2410RL

General Specifications

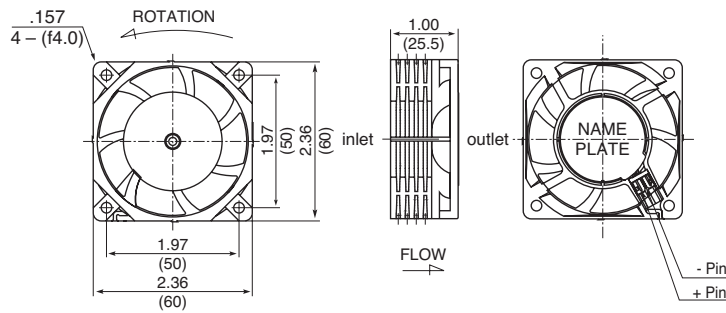
Allowable Ambient Temperature Range:
-10°C ~ +70°C (65%RH) (Operating)
-40°C ~ +75°C (65%RH) (Storage)
(non-condensing environment)

Expected Life

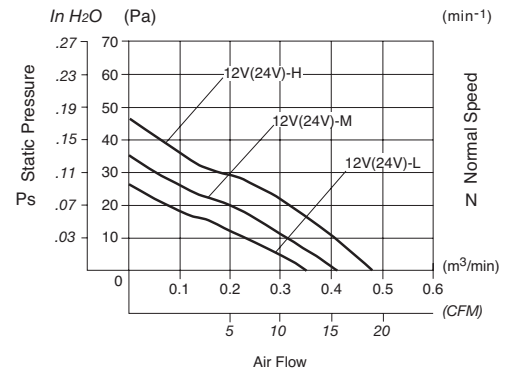
Failure Rate: 10%
50,000 Hours (40°C, 65%RH)

Outline

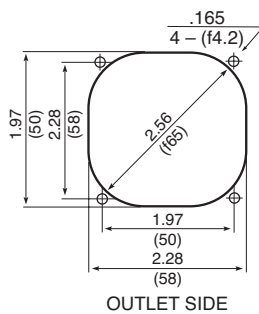
Units: $\frac{\text{inch}}{\text{(mm)}}$



Characteristic Curves



Panel Cut-outs



Material

Bearing: Hydro Wave Bearing

Specifications

MODEL	Rated Voltage	Operating Voltage	Current	Input Power	Rated Speed	Max. Air Flow		Max. Static Pressure		Noise	Mass
	(V)	(V)	(A) ^{*1}	(W) ^{*1}	(min ⁻¹) ^{*1}	CFM ^{*1}	(m ³ /min) ^{*1}	in H ₂ O	(Pa) ^{*1}	(dB) ^{*1}	(g)
FBL06A 12L	12	7.0 ~ 13.8	100	1.20	3200	14.1	0.40	.12	30.4	24.0	60
FBL06A 12M	12	7.0 ~ 13.8	120	1.44	3700	16.6	0.47	.15	38.7	28.0	60
FBL06A 12H	12	7.0 ~ 13.8	155	1.86	4200	19.1	0.54	.20	51.0	32.0	60
FBL06A 24L	24	14.0 ~ 27.6	60	1.44	3200	14.1	0.40	.12	30.4	24.0	60
FBL06A 24M	24	14.0 ~ 27.6	70	1.68	3700	16.6	0.47	.15	38.7	28.0	60
FBL06A 24H	24	14.0 ~ 27.6	85	2.04	4200	19.1	0.54	.20	51.0	32.0	60

Rotation: Clockwise

Airflow Outlet: Air Out Over Struts

*1: Average Values in Free Air