

FBX14** (140[□]x51^L)



EMINEBEA.COM

General Specifications

Motor Protection

Circuit Protection (limit protection)

Insulation Resistance: 10M Ω or over with a DC500V

Dielectric Withstand Voltage: AC 50/60Hz 500V 1min

Allowable Ambient Temperature Range:

-10°C ~ +60°C (No Dew) (Operating)

(non-condensing environment)

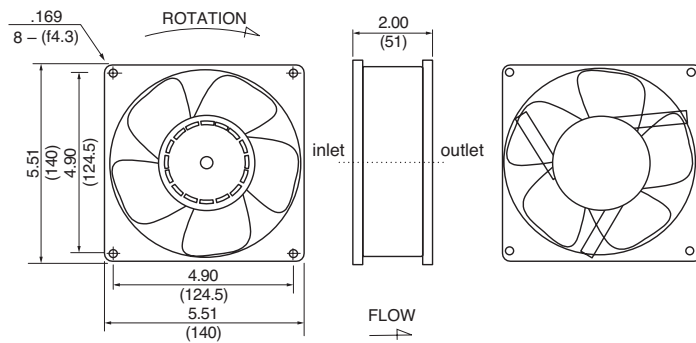
Expected Life

Failure Rate: 10%

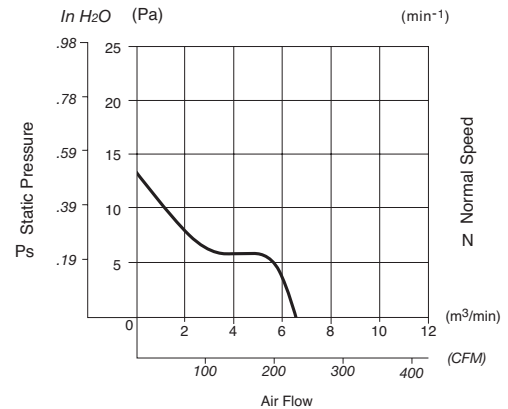
100,000 Hours (40°C, 65%RH)

Outline

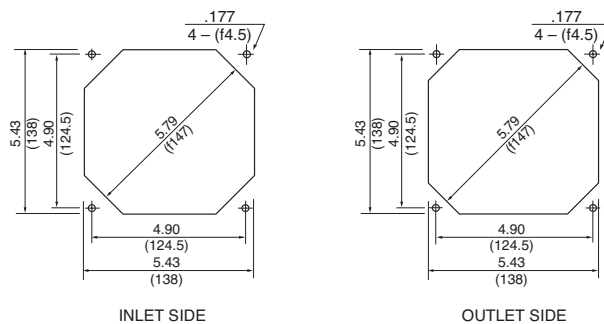
Units: $\frac{\text{inch}}{\text{mm}}$



Characteristic Curves



Panel Cut-outs



Material

Specifications

MODEL	Rated Voltage	Operating Voltage	Current	Input Power	Rated Speed	Max. Air Flow		Max. Static Pressure		Noise	Mass
	(V)	(V)	(A) ^{*1}	(W) ^{*1}	(min ⁻¹) ^{*1}	CFM ^{*1}	(m ³ /min) ^{*1}	in H ₂ O	(Pa) ^{*1}	(dB) ^{*1}	(g)
FBX14 L48**	48	40.8 ~ 55.2	0.27	13.0	2900	219.0	6.2	.55	138.0	52.0	500

Rotation: Clockwise

Airflow Outlet: Air Out Over Struts

*1: Average Values in Free Air