



## General Specifications

### Motor Protection:

Locker Rotor, Reverse Polarity

### Insulation Resistance:

100M Ω or over with a DC500V Megger

### Dielectric Withstand Voltage: AC 700V 1s

### Allowable Ambient Temperature Range:

-30°C ~ +70°C (Operating)

-40°C ~ +70°C (Storage)

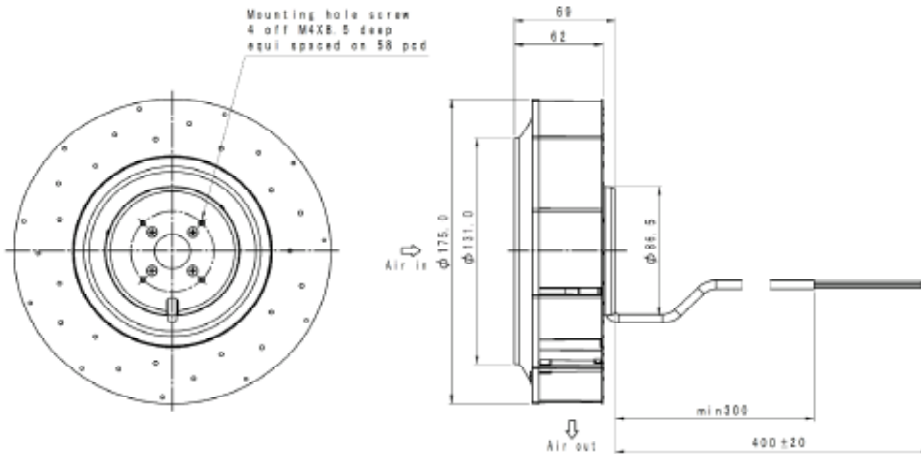
## Expected Life

### Failure Rate: 10%

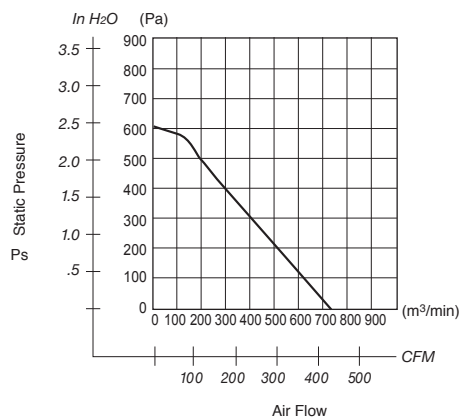
40°C 70,000 Hours

## Outline

Units:  $\frac{\text{inch}}{\text{mm}}$



## Characteristic Curves



## Material

Impeller : Plastic

Bearing : Ball Bearings

## Specifications

| MODEL       | Product No. | Rated Voltage | Operating Voltage | Current           | Input Power       | Speed                              | Max. Air Flow     |                     | Max. Static Pressure |                    | Noise              | Mass |
|-------------|-------------|---------------|-------------------|-------------------|-------------------|------------------------------------|-------------------|---------------------|----------------------|--------------------|--------------------|------|
|             |             | (V)           | (V)               | (A) <sup>*1</sup> | (W) <sup>*1</sup> | (min <sup>-1</sup> ) <sup>*1</sup> | CFM <sup>*1</sup> | (m <sup>3</sup> /H) | in H <sub>2</sub> O  | (Pa) <sup>*1</sup> | (dB) <sup>*1</sup> | (g)  |
| 175R069-DO5 | AXX         | 24            | 16 ~ 28           | 4.3               | 103               | 4400                               | 432.6             | 735                 | 2.4                  | 604                | 73.0               | -    |
| 175R069-DO7 | AXX         | 48            | 36 ~ 57           | 2.0               | 96                | 4400                               | 432.6             | 735                 | 2.4                  | 604                | 73.0               | -    |

\*1: Average Values in Free Air