



Product	Size (mm)	Airflow (m ³ /H)	Pressure (Pa)
101R057	∅101x57	233	480
133R091	∅133x91	Under Development	
160R054	∅160x54	Under Development	
175R069	∅175x69	735	604
190R071	∅190x71	734	723
220R071	∅220x71	1102	672
225R099	∅225x99	1154	665
250R100	∅250x100	1454	670
280R125	∅280x125	1656	504

Part Numbering System

$\frac{175}{\textcircled{1}}$
 $\frac{R}{\textcircled{2}}$
 $\frac{069}{\textcircled{3}}$
 $\frac{D}{\textcircled{4}}$
 $\frac{07}{\textcircled{5}}$
 $\frac{3X}{\textcircled{6}} - \frac{AXX}{\textcircled{7}}$

1. Impeller Diameter (mm)
2. Fan Type (R-Radial Blower)
3. Height of Impeller (mm)
4. Electrical Supply (D:DC)
5. Electrical Voltage
 - 04: 12V
 - 05: 24V
 - 06: 36V
 - 07: 48V
 - 08: 54V
 - 09: Other
6. Speed
 - 1<2<3<4<5<6
 - low high
7. Production Specs
 - Defines Production Specification



General Specifications

Motor Protection:

Locker Rotor, Reverse Polarity

Insulation Resistance:

100M Ω or over with a DC500V Megger

Dielectric Withstand Voltage: AC 700V 1s

Allowable Ambient Temperature Range:

-30°C ~ +70°C (Operating)

-40°C ~ +70°C (Storage)

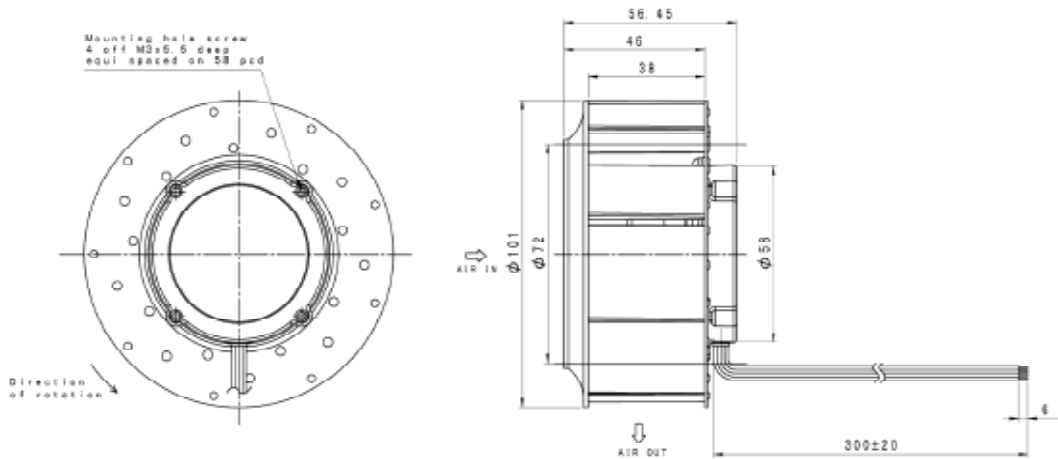
Expected Life

Failure Rate: 10%

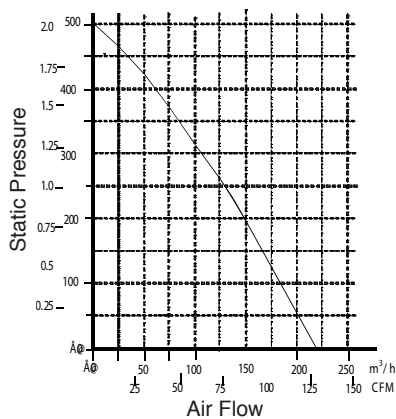
40°C 70,000 Hours

Outline

Units: $\frac{\text{inch}}{\text{mm}}$



Characteristic Curves



Material

Impeller : Plastic

Bearing : Ball Bearings

Specifications

MODEL	Product No.	Rated Voltage	Operating Voltage	Current	Input Power	Speed	Max. Air Flow		Max. Static Pressure		Noise	Mass
		(V)	(V)	(A) ^{*1}	(W) ^{*1}	(min ⁻¹) ^{*1}	CFM ^{*1}	(m ³ /H)	in H ₂ O	(Pa) ^{*1}	(dB) ^{*1}	(g)
101R057-DO5	AXX	24	16 ~ 28	1.2	288	5670	137.1	233	1.9	480	63.0	-
101R057-DO7	AXX	48	36 ~ 57	0.6	288	5670	137.1	233	1.9	480	63.0	-

*1: Average Values in Free Air



General Specifications

Motor Protection:

Locker Rotor, Reverse Polarity

Insulation Resistance:

100M Ω or over with a DC500V Megger

Dielectric Withstand Voltage: AC 700V 1s

Allowable Ambient Temperature Range:

-30°C ~ +70°C (Operating)

-40°C ~ +70°C (Storage)

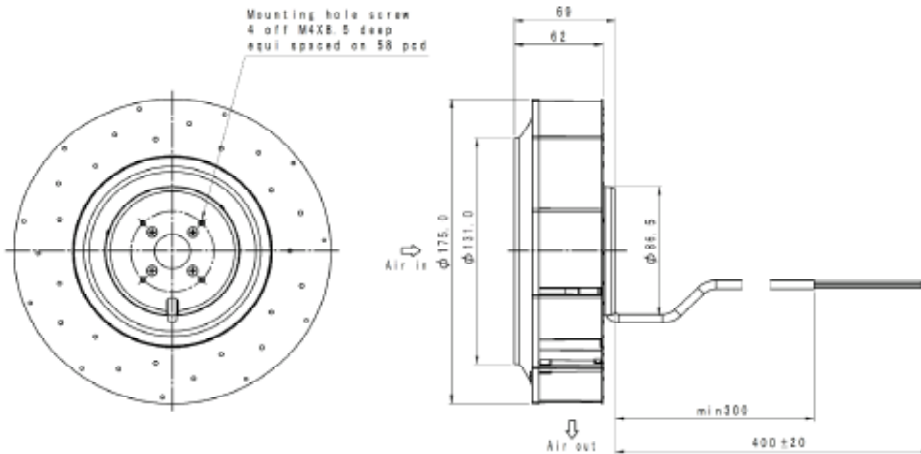
Expected Life

Failure Rate: 10%

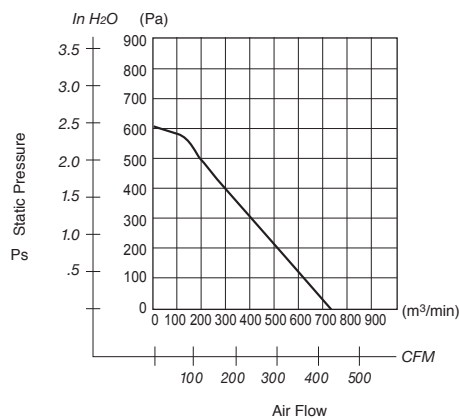
40°C 70,000 Hours

Outline

Units: $\frac{\text{inch}}{\text{mm}}$



Characteristic Curves



Material

Impeller : Plastic

Bearing : Ball Bearings

Specifications

MODEL	Product No.	Rated Voltage	Operating Voltage	Current	Input Power	Speed	Max. Air Flow		Max. Static Pressure		Noise	Mass
		(V)	(V)	(A) ^{*1}	(W) ^{*1}	(min ⁻¹) ^{*1}	CFM ^{*1}	(m ³ /H)	in H ₂ O	(Pa) ^{*1}	(dB) ^{*1}	(g)
175R069-DO5	AXX	24	16 ~ 28	4.3	103	4400	432.6	735	2.4	604	73.0	-
175R069-DO7	AXX	48	36 ~ 57	2.0	96	4400	432.6	735	2.4	604	73.0	-

*1: Average Values in Free Air



General Specifications

Motor Protection:

Locker Rotor, Reverse Polarity

Insulation Resistance:

100M Ω or over with a DC500V Megger

Dielectric Withstand Voltage: AC 700V 1s

Allowable Ambient Temperature Range:

-30°C ~ +70°C (Operating)

-40°C ~ +70°C (Storage)

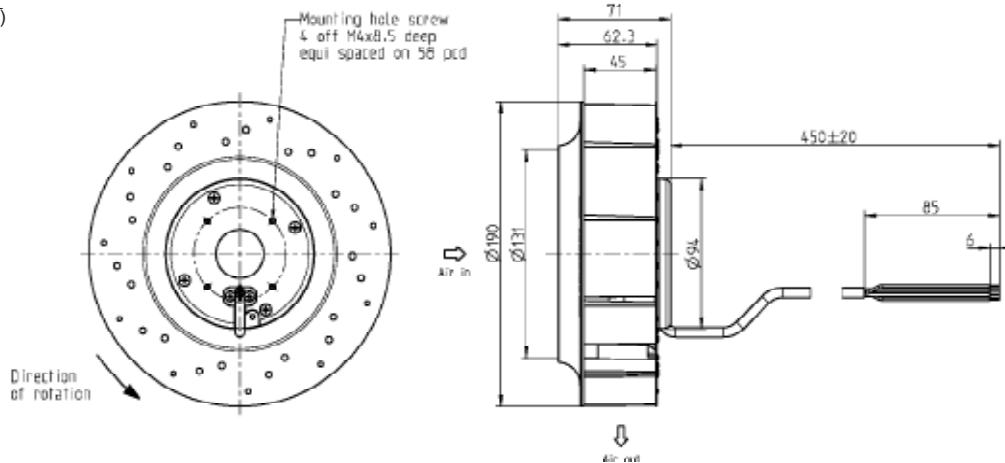
Expected Life

Failure Rate: 10%

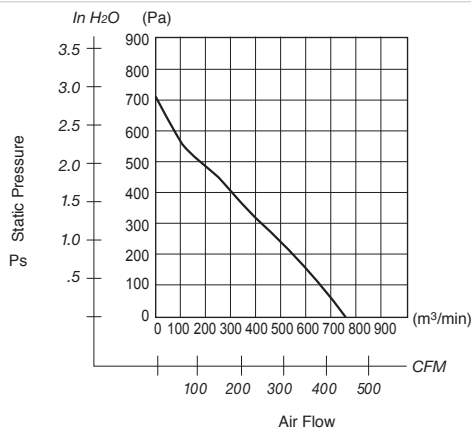
40°C 70,000 Hours

Outline

Units: $\frac{\text{inch}}{\text{mm}}$



Characteristic Curves



Material

Impeller : Plastic

Bearing : Ball Bearings

Specifications

MODEL	Product No.	Rated Voltage	Operating Voltage	Current	Input Power	Speed	Max. Air Flow		Max. Static Pressure		Noise	Mass
		(V)	(V)	(A) ^{*1}	(W) ^{*1}	(min ⁻¹) ^{*1}	CFM ^{*1}	(m³/H)	in H ₂ O	(Pa) ^{*1}	(dB) ^{*1}	(g)
190R071-DO5	AXX	24	16 ~ 28	4.6	110	3450	432.0	734	2.8	723	74.0	-
190R071-DO7	AXX	48	36 ~ 57	2.15	103	3450	432.0	734	2.8	723	73.0	-

*1: Average Values in Free Air



General Specifications

Motor Protection:

Locker Rotor, Reverse Polarity

Insulation Resistance:

100M Ω or over with a DC500V Megger

Dielectric Withstand Voltage: AC 700V 1s

Allowable Ambient Temperature Range:

-30°C ~ +70°C (Operating)

-40°C ~ +70°C (Storage)

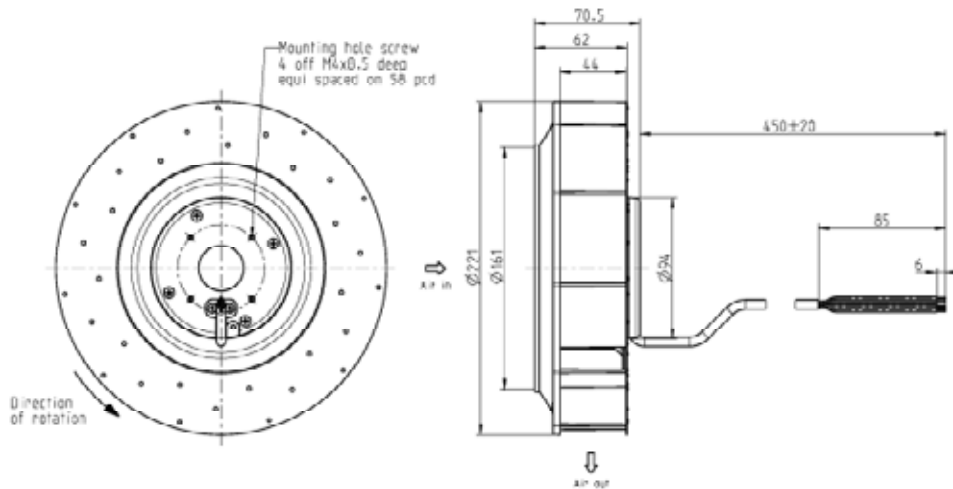
Expected Life

Failure Rate: 10%

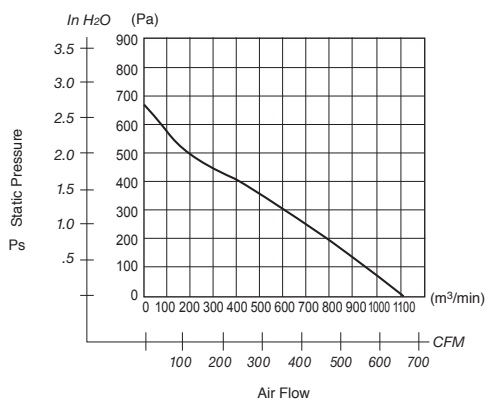
40°C 70,000 Hours

Outline

Units: $\frac{\text{inch}}{\text{mm}}$



Characteristic Curves



Material

Impeller : Plastic

Bearing : Ball Bearings

Specifications

MODEL	Product No.	Rated Voltage	Operating Voltage	Current	Input Power	Speed	Max. Air Flow		Max. Static Pressure		Noise	Mass
		(V)	(V)	(A) ^{*1}	(W) ^{*1}	(min ⁻¹) ^{*1}	CFM ^{*1}	(m³/H)	in H ₂ O	(Pa) ^{*1}	(dB) ^{*1}	(g)
220R071-DO5	AXX	24	16 ~ 28	4.7	113	3240	648.6	1102	2.6	672	74.0	-
220R071-DO7	AXX	48	36 ~ 57	2.3	110	3120	648.6	1102	2.6	672	73.0	-

*1: Average Values in Free Air



General Specifications

Motor Protection:

Locker Rotor, Reverse Polarity

Insulation Resistance:

100M Ω or over with a DC500V Megger

Dielectric Withstand Voltage: AC 700V 1s

Allowable Ambient Temperature Range:

-30°C ~ +70°C (Operating)

-40°C ~ +70°C (Storage)

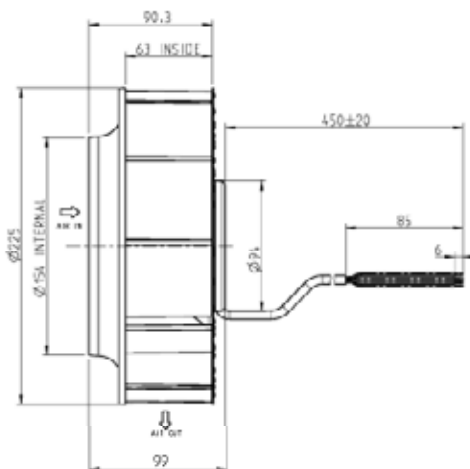
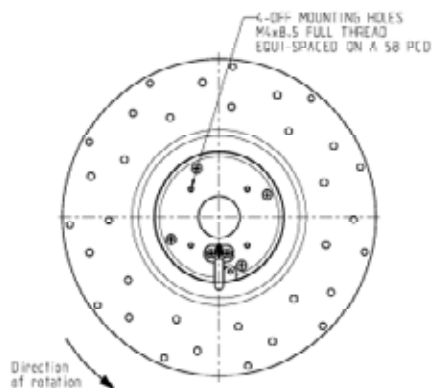
Expected Life

Failure Rate: 10%

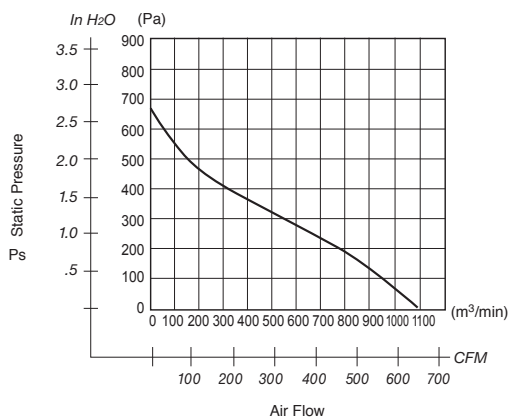
40°C 70,000 Hours

Outline

Units: $\frac{\text{inch}}{\text{mm}}$



Characteristic Curves



Material

Impeller : Plastic

Bearing : Ball Bearings

Specifications

MODEL	Product No.	Rated Voltage	Operating Voltage	Current	Input Power	Speed	Max. Air Flow		Max. Static Pressure		Noise	Mass
		(V)	(V)	(A) ^{*1}	(W) ^{*1}	(min ⁻¹) ^{*1}	CFM ^{*1}	(m ³ /H)	in H ₂ O	(Pa) ^{*1}	(dB) ^{*1}	(g)
225R099-DO5	AXX	24	16 ~ 28	4.3	104	2750	679.2	1154	2.6	665	68.5	-
225R099-DO7	AXX	48	36 ~ 57	1.8	89	2750	679.2	1154	2.6	665	68.5	-

*1: Average Values in Free Air



General Specifications

Motor Protection:

Locker Rotor, Reverse Polarity

Insulation Resistance:

100M Ω or over with a DC500V Megger

Dielectric Withstand Voltage: AC 700V 1s

Allowable Ambient Temperature Range:

-30°C ~ +70°C (Operating)

-40°C ~ +70°C (Storage)

Expected Life

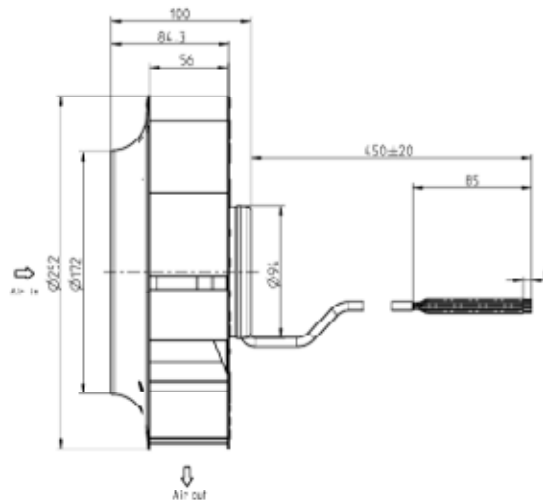
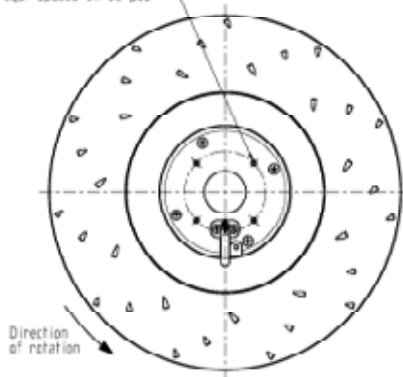
Failure Rate: 10%

40°C 70,000 Hours

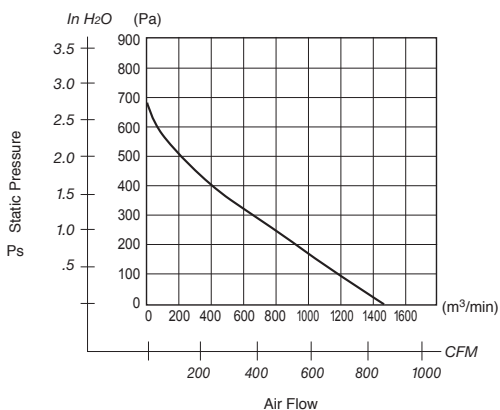
Outline

Units: $\frac{\text{inch}}{\text{mm}}$

Mounting hole screw
4 off M4x5 (deep
equi spaced on 58 ϕ)



Characteristic Curves



Material

Impeller : Metal

Bearing : Ball Bearings

Specifications

MODEL	Product No.	Rated Voltage	Operating Voltage	Current	Input Power	Speed	Max. Air Flow		Max. Static Pressure		Noise	Mass
		(V)	(V)	(A)*1	(W)*1	(min ⁻¹)*1	CFM*1	(m³/H)	in H ₂ O	(Pa)*1	(dB)*1	(g)
250R100-DO5	AXX	24	16 ~ 28	5.0	120	2500	855.7	1454	2.6	670	71.0	-
250R100-DO7	AXX	48	36 ~ 57	2.35	113	2500	855.7	1454	2.6	670	72.0	-

*1: Average Values in Free Air



General Specifications

Motor Protection:

Locker Rotor, Reverse Polarity

Insulation Resistance:

100M Ω or over with a DC500V Megger

Dielectric Withstand Voltage: AC 700V 1s

Allowable Ambient Temperature Range:

-30°C ~ +70°C (Operating)

-40°C ~ +70°C (Storage)

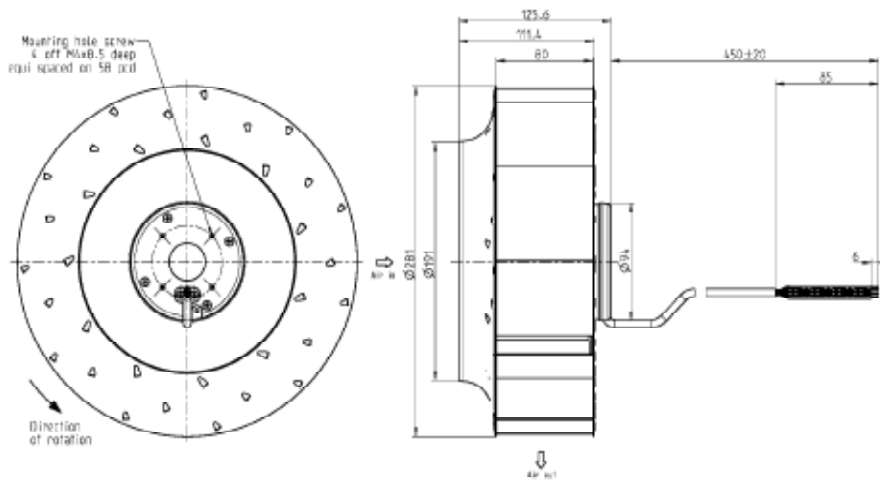
Expected Life

Failure Rate: 10%

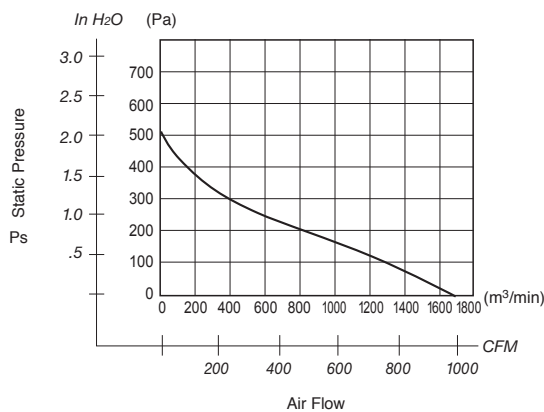
40°C 70,000 Hours

Outline

Units: $\frac{\text{inch}}{\text{mm}}$



Characteristic Curves



Material

Impeller : Metal

Bearing : Ball Bearings

Specifications

MODEL	Product No.	Rated Voltage	Operating Voltage	Current	Input Power	Speed	Max. Air Flow		Max. Static Pressure		Noise	Mass
		(V)	(V)	(A) ^{*1}	(W) ^{*1}	(min ⁻¹) ^{*1}	CFM ^{*1}	(m³/H)	in H ₂ O	(Pa) ^{*1}	(dB) ^{*1}	(g)
280R125-DO5	AXX	24	16 ~ 28	4.5	108	1815	974.6	1656	2.02	504	68.5	-
280R125-DO7	AXX	48	36 ~ 57	1.9	91	1815	974.6	1656	2.02	504	68.5	-

*1: Average Values in Free Air