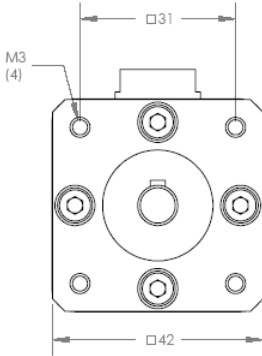
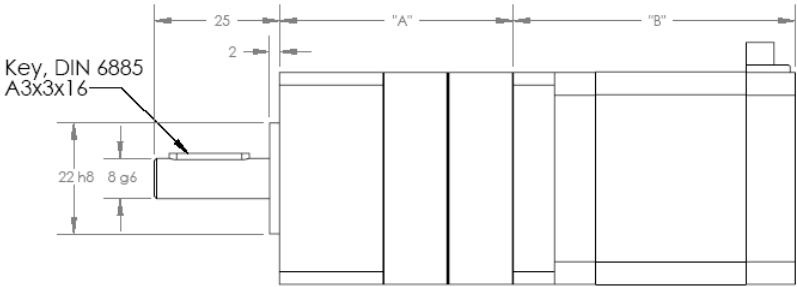
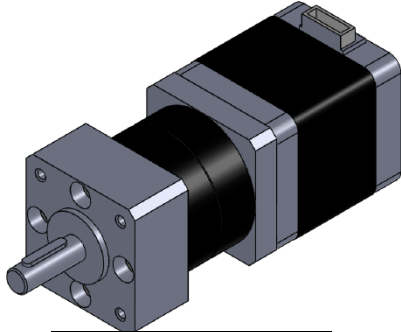


# 17GN

## NEMA17 – 42 □ 0.9°/1.8°/3.75°



Standard Motor Lengths	
Type	"B" (mm)
17GN-K7	26
17GN-K2	30
17GN-K0	34
17GN-K3	38
17GN-K1	42
17GN-K4	48

(PHASE)	A	-B	-A	B
(PIN NO.)	4	1	6	3

### Gearbox Ratio Selection

Characteristics				
Dimension "A"	72.6mm	85.7mm	98.8mm	111.9mm
Max Torque	3 Nm	7.5 Nm	15 Nm	15 Nm
GB Eff	80%	75%	70%	65%
Max Backlash	0.90 Deg	0.95 Deg	1.00 Deg	1.05 Deg
Max Radial Load	160N	230N	300N	360N
Max Axial Load	50N	80N	110N	140N
GB Weight	400g	500g	600g	700g

Available Ratios											
1 Stage		2 Stages				3 Stages				4 Stages	
Spur	Helical	Spur	Helical	Spur	Helical	Spur	Helical	Spur	Helical	Spur	Helical
4:1 (3.70)	4:1 (3.65)	14:1 (13.73)	14:1 (13.53)	51:1 (50.89)	50:1 (50.16)	189:1 (188.61)	186:1 (185.88)	189:1 (188.61)	186:1 (185.88)	189:1 (188.61)	186:1 (185.88)
4:1 (4.28)	5:1 (4.59)	16:1 (15.88)	16:1 (15.65)	59:1 (58.85)	58:1 (58.01)	218:1 (218.12)	215:1 (214.96)	218:1 (218.12)	215:1 (214.96)	218:1 (218.12)	215:1 (214.96)
5:1 (5.18)	5:1 (5.36)	18:1 (18.36)	18:1 (17.01)	68:1 (68.06)	67:1 (67.08)	264:1 (263.72)	260:1 (259.91)	264:1 (263.72)	260:1 (259.91)	264:1 (263.72)	260:1 (259.91)
7:1 (6.75)	7:1 (6.55)	19:1 (19.20)	19:1 (18.92)	71:1 (71.16)	70:1 (70.13)	287:1 (287.49)	287:1 (287.49)	287:1 (287.49)	287:1 (287.49)	287:1 (287.49)	287:1 (287.49)
	9:1 (8.63)	22:1 (22.20)	22:1 (22.96)	79:1 (78.71)	81:1 (81.11)	305:1 (304.99)	301:1 (300.57)	305:1 (304.99)	301:1 (300.57)	305:1 (304.99)	301:1 (300.57)
		25:1 (25.01)	25:1 (24.65)	93:1 (92.70)	91:1 (91.36)	337:1 (337.35)	339:1 (338.56)	337:1 (337.35)	339:1 (338.56)	337:1 (337.35)	339:1 (338.56)
		27:1 (26.85)	27:1 (27.76)	95:1 (95.17)	98:1 (98.07)	344:1 (343.54)	348:1 (347.60)	344:1 (343.54)	348:1 (347.60)	344:1 (343.54)	348:1 (347.60)
		29:1 (28.93)	29:1 (28.05)	100:1 (99.50)	101:1 (101.89)	353:1 (352.71)	361:1 (361.17)	353:1 (352.71)	361:1 (361.17)	353:1 (352.71)	361:1 (361.17)
		35:1 (34.97)	35:1 (33.92)	107:1 (107.20)	106:1 (105.65)	369:1 (368.76)	365:1 (364.66)	369:1 (368.76)	365:1 (364.66)	369:1 (368.76)	365:1 (364.66)
		46:1 (45.56)	46:1 (44.69)	115:1 (115.07)	115:1 (114.77)	397:1 (397.29)	392:1 (391.53)	397:1 (397.29)	392:1 (391.53)	397:1 (397.29)	392:1 (391.53)
			58:1 (58.22)	124:1 (123.97)	123:1 (123.20)	408:1 (407.89)	420:1 (420.28)	408:1 (407.89)	420:1 (420.28)	408:1 (407.89)	420:1 (420.28)
				130:1 (129.62)	128:1 (127.74)	426:1 (426.46)	425:1 (425.34)	426:1 (426.46)	425:1 (425.34)	426:1 (426.46)	425:1 (425.34)
				139:1 (139.13)	137:1 (136.99)	459:1 (459.45)	457:1 (456.56)	459:1 (459.45)	457:1 (456.56)	459:1 (459.45)	457:1 (456.56)
				150:1 (149.90)	145:1 (145.36)	480:1 (480.36)	473:1 (473.40)	480:1 (480.36)	473:1 (473.40)	480:1 (480.36)	473:1 (473.40)
				169:1 (168.84)	166:1 (166.40)	493:1 (493.18)	492:1 (491.89)	493:1 (493.18)	492:1 (491.89)	493:1 (493.18)	492:1 (491.89)
				181:1 (181.24)	176:1 (175.75)	516:1 (515.62)	515:1 (515.24)	516:1 (515.62)	515:1 (515.24)	516:1 (515.62)	515:1 (515.24)
				195:1 (195.26)	192:1 (191.54)	531:1 (531.34)	533:1 (533.08)	531:1 (531.34)	533:1 (533.08)	531:1 (531.34)	533:1 (533.08)
				236:1 (236.09)	232:1 (231.59)	556:1 (555.52)	547:1 (547.47)	556:1 (555.52)	547:1 (547.47)	556:1 (555.52)	547:1 (547.47)
				308:1 (307.54)	302:1 (301.68)	596:1 (596.30)	595:1 (594.73)	596:1 (596.30)	595:1 (594.73)	596:1 (596.30)	595:1 (594.73)
					393:1 (392.98)	626:1 (625.73)	623:1 (622.97)	626:1 (625.73)	623:1 (622.97)	626:1 (625.73)	623:1 (622.97)
						642:1 (642.42)	638:1 (638.40)	642:1 (642.42)	638:1 (638.40)	642:1 (642.42)	638:1 (638.40)
						672:1 (671.67)	679:1 (678.94)	672:1 (671.67)	679:1 (678.94)	672:1 (671.67)	679:1 (678.94)
						721:1 (720.98)	713:1 (713.15)	721:1 (720.98)	713:1 (713.15)	721:1 (720.98)	713:1 (713.15)
						724:1 (723.63)	745:1 (745.38)	724:1 (723.63)	745:1 (745.38)	724:1 (723.63)	745:1 (745.38)
						777:1 (776.76)	775:1 (774.72)	777:1 (776.76)	775:1 (774.72)	777:1 (776.76)	775:1 (774.72)
						837:1 (836.86)	832:1 (831.60)	837:1 (836.86)	832:1 (831.60)	837:1 (836.86)	832:1 (831.60)
						875:1 (874.94)	862:1 (862.27)	875:1 (874.94)	862:1 (862.27)	875:1 (874.94)	862:1 (862.27)
						939:1 (939.18)	925:1 (924.65)	939:1 (939.18)	925:1 (924.65)	939:1 (939.18)	925:1 (924.65)
						1012:1 (1011.84)	1046:1 (1046.08)	1012:1 (1011.84)	1046:1 (1046.08)	1012:1 (1011.84)	1046:1 (1046.08)
						1140:1 (1139.73)	1123:1 (1123.21)	1140:1 (1139.73)	1123:1 (1123.21)	1140:1 (1139.73)	1123:1 (1123.21)
						1223:1 (1223.41)	1200:1 (1200.07)	1223:1 (1223.41)	1200:1 (1200.07)	1223:1 (1223.41)	1200:1 (1200.07)
						1318:1 (1318.05)	1393:1 (1392.91)	1318:1 (1318.05)	1393:1 (1392.91)	1318:1 (1318.05)	1393:1 (1392.91)
						1594:1 (1593.65)	1563:1 (1563.24)	1594:1 (1593.65)	1563:1 (1563.24)	1594:1 (1593.65)	1563:1 (1563.24)

### Catalog Part Numbering

**17GN – XXX – XXXXX**

Step Option

'B' Motor Length

S Spur  
H Helical

'XXXX' Ratio

Example:

17GB-BK0-S0079

17GN – 17 Size NEMA Gearbox Motor  
BK0 – 1.8 Degree, 34 mm long stator  
S0079 – Spur Gearbox ratio of 79:1

Step Options:

A - 0.9 Degree

B - 1.8 Degree

C - 3.75 Degree

Other Available Options:

- Encoders
- Pinions
- Drivers

