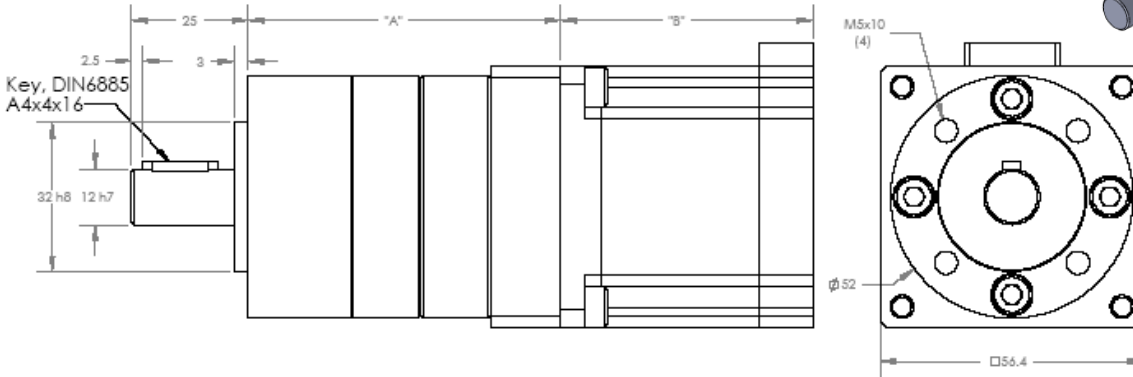
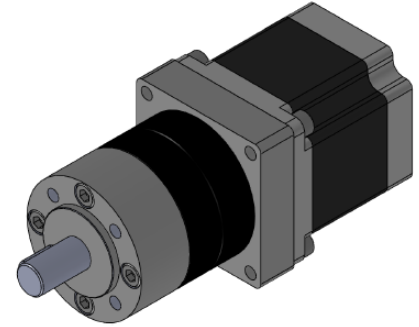


23GR

Round 56 0.9°/1.8°



(PHASE)	A	-B	-A	B
(PIN NO.)	4	1	6	3

Standard Motor Lengths	
Type	"B" (mm)
23GR-K2	42
23GR-K3	50
23GR-K0	54
23GR-K1	67
23GR-K7	76

Gearbox Ratio Selection

Characteristics				
Dimension "A"	55.3mm	69.5mm	83.7mm	97.9mm
Max Torque	4 Nm	12 Nm	25 Nm	25 Nm
GB Eff	80%	75%	70%	65%
Max Backlash	0.70 Deg	0.75 Deg	0.80 Deg	0.85 Deg
Max Radial Load	200N	320N	450N	500N
Max Axial Load	60N	100N	150N	200N
GB Weight	0.7 kg	0.9 kg	1.1 kg	1.3 kg

Available Ratios									
1 Stage		2 Stages		3 Stages		4 Stages			
Spur	Helical	Spur	Helical	Spur	Helical	Spur	Helical	Spur	Helical
3:1 (3.70)	4:1 (3.65)	14:1 (13.73)	14:1 (13.53)	51:1 (50.89)	50:1 (50.16)	189:1 (188.61)	186:1 (185.88)		
4:1 (4.28)	5:1 (4.59)	16:1 (15.88)	16:1 (15.65)	59:1 (58.85)	58:1 (58.01)	218:1 (218.12)	215:1 (214.96)		
5:1 (5.18)	5:1 (5.36)	18:1 (18.36)	18:1 (17.01)	68:1 (68.06)	67:1 (67.08)	252:1 (252.24)	249:1 (248.59)		
7:1 (6.75)	7:1 (6.55)	19:1 (19.20)	19:1 (18.92)	71:1 (71.16)	70:1 (70.13)	264:1 (263.72)	260:1 (259.91)		
	9:1 (8.63)	22:1 (22.20)	22:1 (22.96)	79:1 (78.71)	81:1 (81.11)	292:1 (291.71)	287:1 (287.49)		
		25:1 (25.01)	25:1 (24.65)	93:1 (92.70)	91:1 (91.36)	305:1 (304.99)	301:1 (300.57)		
		27:1 (26.85)	27:1 (27.76)	95:1 (95.17)	98:1 (98.07)	337:1 (337.35)	339:1 (338.56)		
		29:1 (28.93)	29:1 (28.05)	100:1 (99.50)	101:1 (101.89)	344:1 (343.54)	348:1 (347.60)		
		35:1 (34.97)	35:1 (33.92)	107:1 (107.20)	106:1 (105.65)	353:1 (352.71)	361:1 (361.17)		
		46:1 (45.56)	46:1 (44.69)	115:1 (115.07)	115:1 (114.77)	369:1 (368.76)	365:1 (364.66)		
			58:1 (58.22)	124:1 (123.97)	123:1 (123.20)	397:1 (397.29)	392:1 (391.53)		
				130:1 (129.62)	128:1 (127.74)	408:1 (407.89)	420:1 (420.28)		
				139:1 (139.13)	137:1 (136.99)	426:1 (426.46)	425:1 (425.34)		
				150:1 (149.90)	145:1 (145.36)	459:1 (459.45)	457:1 (456.56)		
				169:1 (168.84)	166:1 (166.40)	480:1 (480.36)	473:1 (473.40)		
				181:1 (181.24)	176:1 (175.75)	493:1 (493.18)	492:1 (491.89)		
				195:1 (195.26)	192:1 (191.54)	516:1 (515.62)	515:1 (515.24)		
				236:1 (236.09)	232:1 (231.59)	531:1 (531.34)	533:1 (533.08)		
				308:1 (307.54)	302:1 (301.68)	556:1 (555.52)	547:1 (547.47)		
					393:1 (392.98)	596:1 (596.30)	595:1 (594.73)"		
						626:1 (625.73)	623:1 (622.97)		
						642:1 (642.42)	638:1 (638.40)		
						672:1 (671.67)	679:1 (678.94)		
						721:1 (720.98)	713:1 (713.15)		
						724:1 (723.63)	745:1 (745.38)		
						777:1 (776.76)	775:1 (774.72)		
						837:1 (836.86)	832:1 (831.60)		
						875:1 (874.94)	862:1 (862.27)		
						939:1 (939.18)	925:1 (924.65)		
						1012:1 (1011.84)	1046:1 (1046.08)		
						1140:1 (1139.73)	1123:1 (1123.21)		
						1223:1 (1223.41)	1200:1 (1200.07)		
						1318:1 (1318.05)	1393:1 (1292.91)		
						1594:1 (1593.65)	1563:1 (1563.24)		



Catalog Part Numbering

23GR - XXX - XXXXX

Step Option

'B' Motor Length

S Spur
H Helical

'XXXX' Ratio

Step Options:
A - 0.9 Degree
B - 1.8 Degree

Other Available Options:

- Encoders
- Pinions
- Drivers

Example:

23GR-BK0-S0079

23GR - 23 Size Round Gearbox Motor
BK0 - 1.8 Degree, 54 mm long stator
S0079 - Spur Gearbox ratio of 79:1