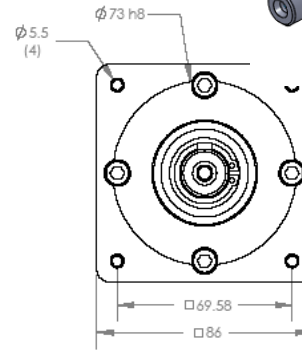
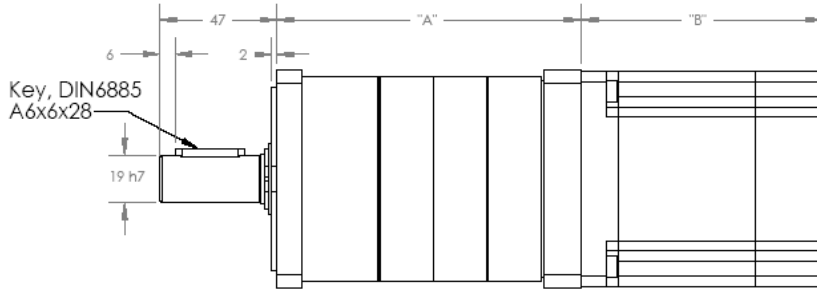
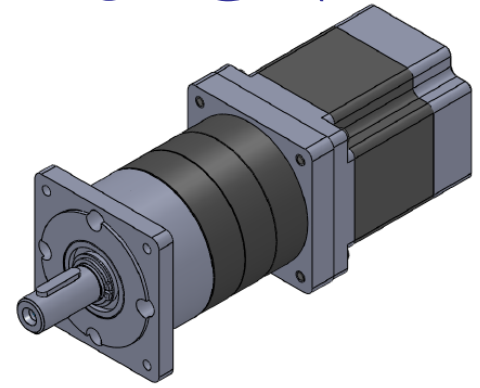


# 34GN

## NEMA34 – 85 □ 1.8°



Standard Motor Lengths	
Type	"B" (mm)
34GN-K0	66
34GN-K1	96
34GN-K2	126

(PHASE)	A	-B	-A	B
(PIN NO.)	4	1	6	3

### Gearbox Ratio Selection

Characteristics				
Dimension "A"	112.4mm	134.1mm	155.8mm	177.5mm
Max Torque	20 Nm	60 Nm	120 Nm	120 Nm
GB Eff	80%	75%	70%	65%
Max Backlash	0.50 Deg	0.55 Deg	0.60 Deg	0.65 Deg
Max Radial Load	400N	600N	1000N	1300N
Max Axial Load	80N	120N	200N	280N
GB Weight	1.8 kg	2.5 kg	3.2 kg	3.9 kg

Available Ratios													
1 Stage		2 Stages				3 Stages				4 Stages			
Spur	Helical	Spur	Helical	Spur	Helical	Spur	Helical	Spur	Helical	Spur	Helical	Spur	Helical
4:1 (3.70)	4:1 (3.65)	14:1 (13.73)	14:1 (13.53)	51:1 (50.89)	50:1 (50.16)	189:1 (188.61)	186:1 (185.88)	4:1 (4.28)	5:1 (4.59)	16:1 (15.88)	16:1 (15.65)	59:1 (58.85)	58:1 (58.01)
5:1 (5.18)	5:1 (5.36)	18:1 (18.36)	18:1 (17.01)	68:1 (68.06)	67:1 (67.08)	252:1 (252.24)	249:1 (248.59)	5:1 (5.18)	7:1 (6.55)	19:1 (19.20)	19:1 (18.92)	71:1 (71.16)	70:1 (70.13)
7:1 (6.75)	7:1 (6.55)	22:1 (22.20)	22:1 (22.96)	79:1 (78.71)	81:1 (81.11)	292:1 (291.71)	287:1 (287.49)	7:1 (6.75)	9:1 (8.63)	22:1 (22.20)	22:1 (22.96)	81:1 (81.11)	81:1 (81.11)
		25:1 (25.01)	25:1 (24.65)	93:1 (92.70)	91:1 (91.36)	305:1 (304.99)	301:1 (300.57)			25:1 (25.01)	25:1 (24.65)	93:1 (92.70)	91:1 (91.36)
		27:1 (26.85)	27:1 (27.76)	95:1 (95.17)	98:1 (98.07)	337:1 (337.35)	339:1 (338.56)			27:1 (26.85)	27:1 (27.76)	95:1 (95.17)	98:1 (98.07)
		29:1 (28.93)	29:1 (28.05)	100:1 (99.50)	101:1 (101.89)	344:1 (343.54)	348:1 (347.60)			29:1 (28.93)	29:1 (28.05)	100:1 (99.50)	101:1 (101.89)
		35:1 (34.97)	35:1 (33.92)	107:1 (107.20)	106:1 (105.65)	353:1 (352.71)	361:1 (361.17)			35:1 (34.97)	35:1 (33.92)	107:1 (107.20)	106:1 (105.65)
		46:1 (45.56)	46:1 (44.69)	115:1 (115.07)	115:1 (114.77)	369:1 (368.76)	365:1 (364.66)			46:1 (45.56)	46:1 (44.69)	115:1 (115.07)	115:1 (114.77)
			58:1 (58.22)	124:1 (123.97)	123:1 (123.20)	397:1 (397.29)	392:1 (391.53)				58:1 (58.22)	124:1 (123.97)	123:1 (123.20)
				130:1 (129.62)	128:1 (127.74)	408:1 (407.89)	420:1 (420.28)					130:1 (129.62)	128:1 (127.74)
				139:1 (139.13)	137:1 (136.99)	426:1 (426.46)	425:1 (425.34)					139:1 (139.13)	137:1 (136.99)
				150:1 (149.90)	145:1 (145.36)	459:1 (459.45)	457:1 (456.56)					150:1 (149.90)	145:1 (145.36)
				169:1 (168.84)	166:1 (166.40)	480:1 (480.36)	473:1 (473.40)					169:1 (168.84)	166:1 (166.40)
				181:1 (181.24)	176:1 (175.75)	493:1 (493.18)	492:1 (491.89)					181:1 (181.24)	176:1 (175.75)
				195:1 (195.26)	192:1 (191.54)	516:1 (515.62)	515:1 (515.24)					195:1 (195.26)	192:1 (191.54)
				236:1 (236.09)	232:1 (231.59)	531:1 (531.34)	533:1 (533.08)					236:1 (236.09)	232:1 (231.59)
				308:1 (307.54)	302:1 (301.68)	556:1 (555.52)	547:1 (547.47)					308:1 (307.54)	302:1 (301.68)
					393:1 (392.98)	596:1 (596.30)	595:1 (594.73)"						393:1 (392.98)
						626:1 (625.73)	623:1 (622.97)						626:1 (625.73)
						642:1 (642.42)	638:1 (638.40)						642:1 (642.42)
						672:1 (671.67)	679:1 (678.94)						672:1 (671.67)
						721:1 (720.98)	713:1 (713.15)						721:1 (720.98)
						724:1 (723.63)	745:1 (745.38)						724:1 (723.63)
						777:1 (776.76)	775:1 (774.72)						777:1 (776.76)
						837:1 (836.86)	832:1 (831.60)						837:1 (836.86)
						875:1 (874.94)	862:1 (862.27)						875:1 (874.94)
						939:1 (939.18)	925:1 (924.65)						939:1 (939.18)
						1012:1 (1011.84)	1046:1 (1046.08)						1012:1 (1011.84)
						1140:1 (1139.73)	1123:1 (1123.21)						1140:1 (1139.73)
						1223:1 (1223.41)	1200:1 (1200.07)						1223:1 (1223.41)
						1318:1 (1318.05)	1393:1 (1292.91)						1318:1 (1318.05)

### Catalog Part Numbering

**34GN – XXX – XXXXX**

Step Option

'B' Motor Length

S Spur  
H Helical

'XXXX' Ratio

Example:

34GN-BK0-S0079

**34GN** – 34 Size NEMA Gearbox Motor  
**BK0** – 1.8 Degree, 66 mm long stator  
**S0079** – Spur Gearbox ratio of 79:1

Step Options:  
**B - 1.8 Degree**

### Other Available Options:

- Encoders
- Pinions
- Drivers