

BLDC15P06

43.1.0106

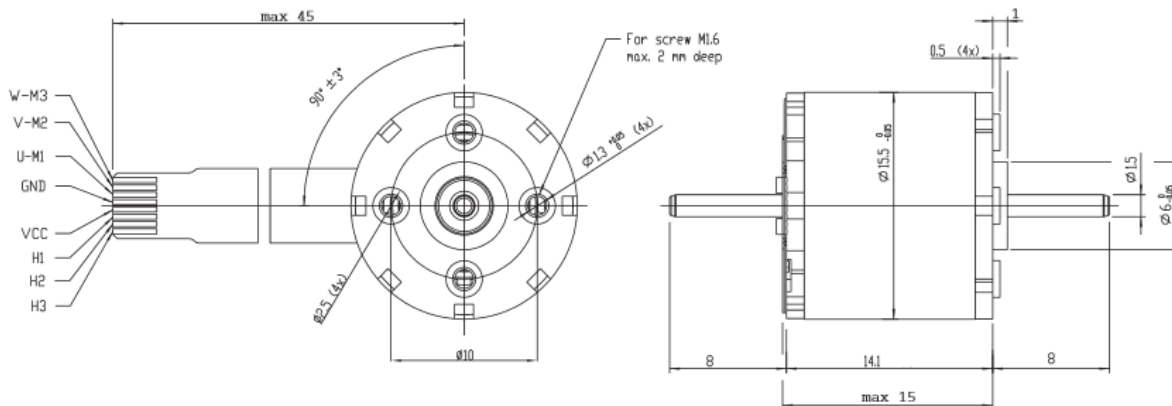
Brushless DC Motor



Rated Voltage	12	V
No Load Speed	12900	rpm
Rated Speed	10000	rpm
Cont. Power	2	W
Rated Torque	1.9	mNm
Current at Rated Speed	0.23	A
Torque Constant	8.3	mNm/A
Efficiency at Duty Point	70	%
Weight	15	g
Rotor Inertia	0.8	gcm ²
Oper. Temp. Range	-20/+45	° C
Max. Temp. Rise	70	° C

Features

Excellent power to volume ratio
High efficiency at operating point
High reliability



PM DM GmbH
Auf Herdenen 10
D-78052 Villingen-Schwenningen
Tel.: +49 (0) 7721 / 997-0

<http://www.pmdm.de>
Mail: Sales@pmdm.de

PM DM
Precision Motors Deutsche Minebea GmbH

