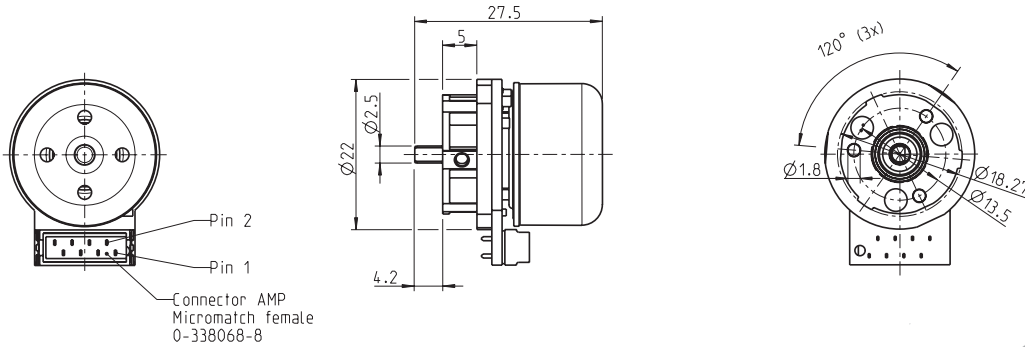


BLDC20-OR



General Specification

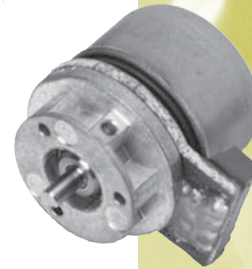
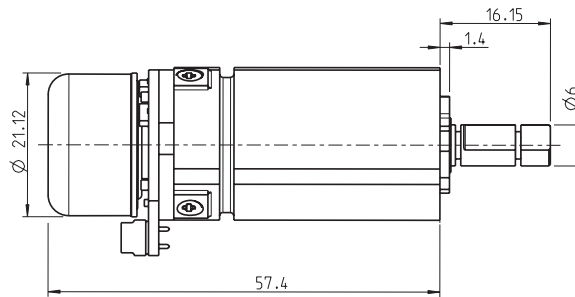
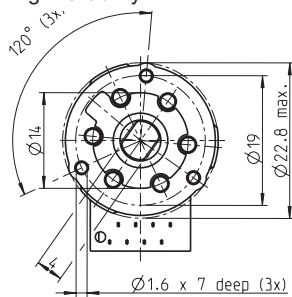
Operating temperature
 - 40 ° C ... + 85°C
 2 NMB ballbearings for
 long lifetime

Features

Excellent power to volume ratio
 High efficiency at operating point
 High reliability

Options

Prepared for planetary gearbox



BLDC20-OR-GB

NMB-Partnumber		BLDC20-OR 9V 46.014	BLDC20-OR-GB *2) 9V 46.014
Rated Voltage	[V]	9	9
Rated Speed	[rpm]	3200	22
Continuous Power	[W]	2.38	1.55
Rated Torque	[mNm]	7.1	160
Continous Stall Torque	[mNm]	13.6 max.	160 min.
Efficiency at Rated Speed	[%]	63	40
Efficiency max.	[%]	>80	-
Current at Rated Speed	[A]	0.3	0.3
No Load Speed	[rpm]	6500	43
Resistance per Phase *1)	[Ω]	7.2	7.2
Inductance per Phase	[mH]	1.0	1.0
Torque Constant	[mNm/A]	13.8	13.8
Speed Constant	[rpm/V]	-	-
Mech. Time Constant	[ms]	37.7	38.0
Rotor Inertia	[gcm ²]	9.25	9.25
Number of Poles		6	6
Weight	[g]	30	56
Thermal Resistance *2)	[K/W]	22.0	22.0

Dwg.No.: 120601200009G

*1) resistance phase to phase at 20°C

*2) other gear ratios available upon request

