

BLDC 20 OR-9V

9V 46.014

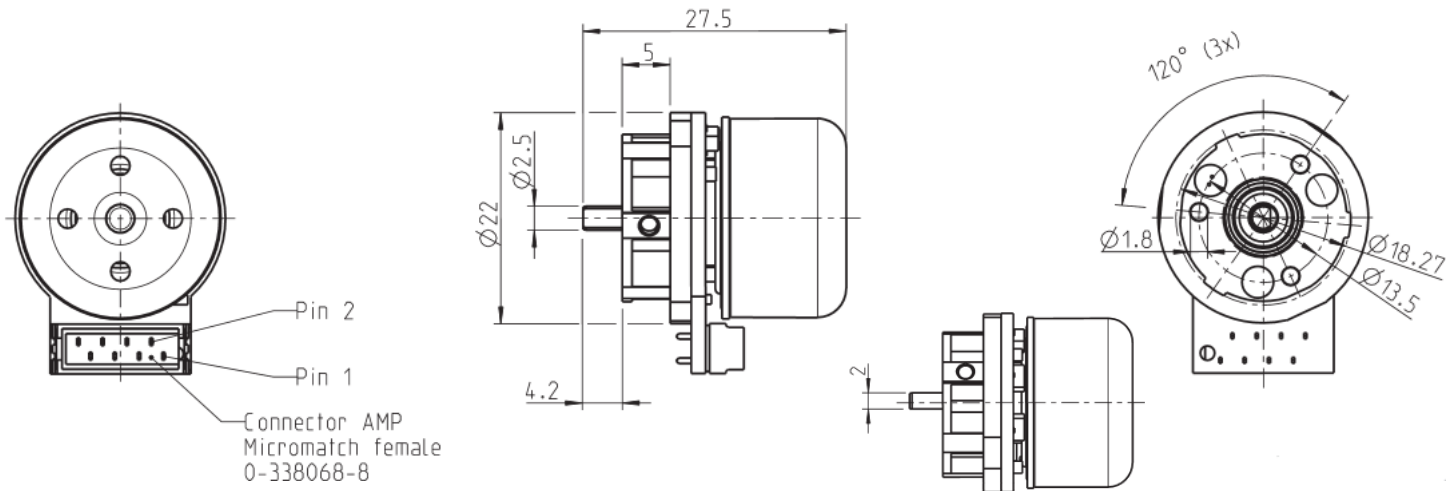
Brushless DC Motor



Rated Voltage	9	V
No Load Speed	5900	rpm
Rated Speed	3200	rpm
Cont. Power	2	W
Rated Torque	7.1	mNm
Current at Rated Speed	0.44	A
Torque Constant	13.8	mNm/A
Efficiency at Duty Point	63	%
Weight	30	g
Rotor Inertia	9.25	gcm ²
Oper. Temp. Range	-20/+45	° C
Max. Temp. Rise	70	° C

Features

Excellent power to volume ratio
High efficiency at operating point
High reliability



PM DM GmbH
Auf Herdenen 10
D-78052 Villingen-Schwenningen
Tel.: +49 (0) 7721 / 997-0

<http://www.pmdm.de>
Mail: Sales@pmdm.de

PM DM
Precision Motors Deutsche Minebea GmbH

