

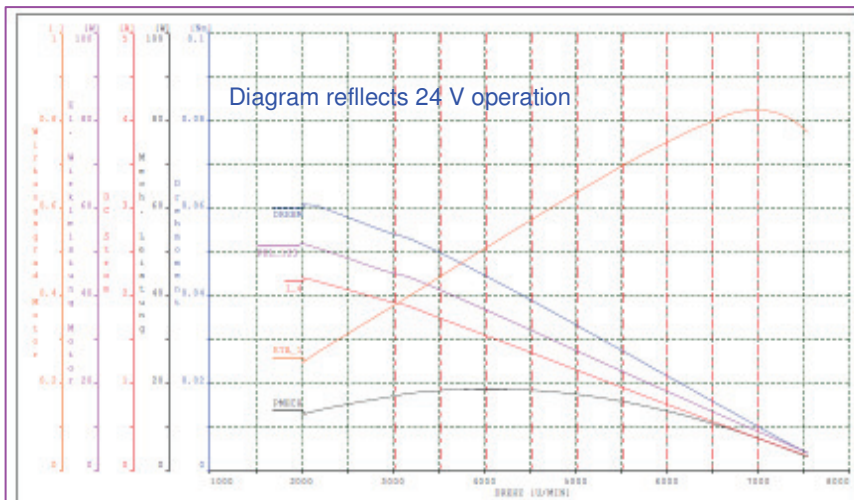
# BLDC 24P16A 80.1.017D

## Brushless 3-Phase DC Motor



Rated Voltage	12	24	V
No Load Speed	3.900	<b>7.800</b>	rpm
Rated Speed	2.090	<b>6.040</b>	rpm
Cont. Power	4	<b>12</b>	W
Rated Torque	19	<b>19</b>	mNm
Cont. Stall Torque			
Current at rated Speed	0,7	<b>0,75</b>	A
Torque Constant		<b>27,3</b>	mNm/A
Efficiency at Duty Point		<b>&gt; 80</b>	%
Weight		<b>0,055</b>	kg
Rotor Inertia		<b>2,7</b>	gcm <sup>2</sup>
Oper. Temp. Range		<b>-20 / + 45</b>	°C
Max. Temp. Rise		<b>70</b>	K

Motor Code: 120988800051

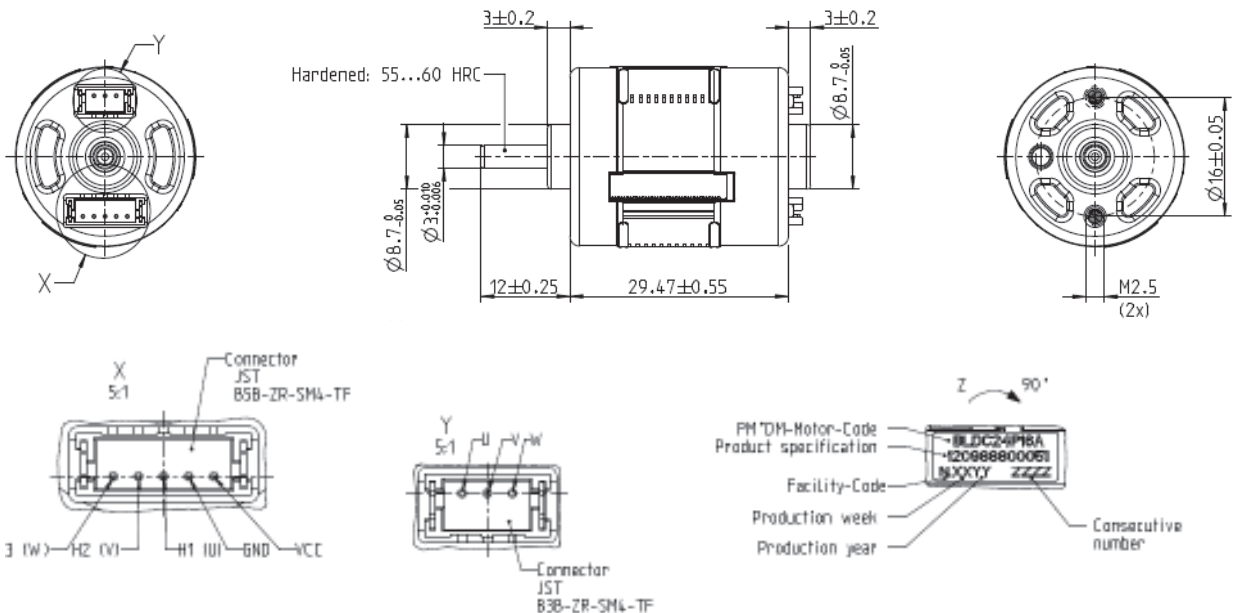


### Features

- High power-to-volume ratio
- High efficiency at duty point
- High reliability
- With or without integrated drive

### Typical Applications

- Pump drives
- Automation



Stand Dec 2010

PM DM GmbH  
 Auf Herdenen 10  
 D-78052 Villingen-Schwenningen  
 Tel.: +49 (0) 7721 / 997-0

<http://www.pmdm.de>  
 Mail: info@pmdm.de

**PM DM**  
 Precision Motors Deutsche Minebea GmbH