

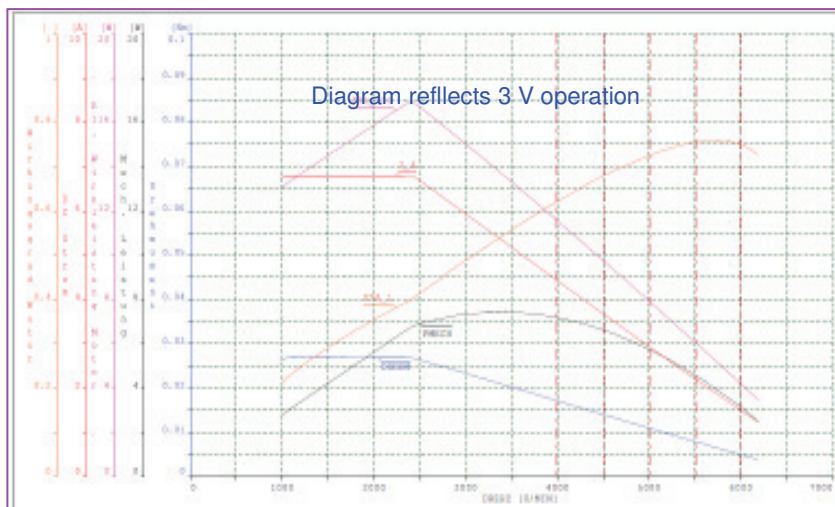
BLDC 24P16A 9.1.040D

Brushless 3-Phase DC Motor



Rated Voltage	3	6	V
No Load Speed	7.600	16.000	rpm
Rated Speed	4.600	13.300	rpm
Cont. Power	8	19	W
Rated Torque	17	14	mNm
Cont. Stall Torque			
Current at rated Speed	5,4	4,8	A
Torque Constant		3,2	mNm/A
Efficiency at Duty Point	57	72	%
Weight		0,05	kg
Rotor Inertia		2,3	gcm ²
Oper. Temp. Range		-20 / + 45	°C
Max. Temp. Rise		70	K

Motor Code: 121088800082

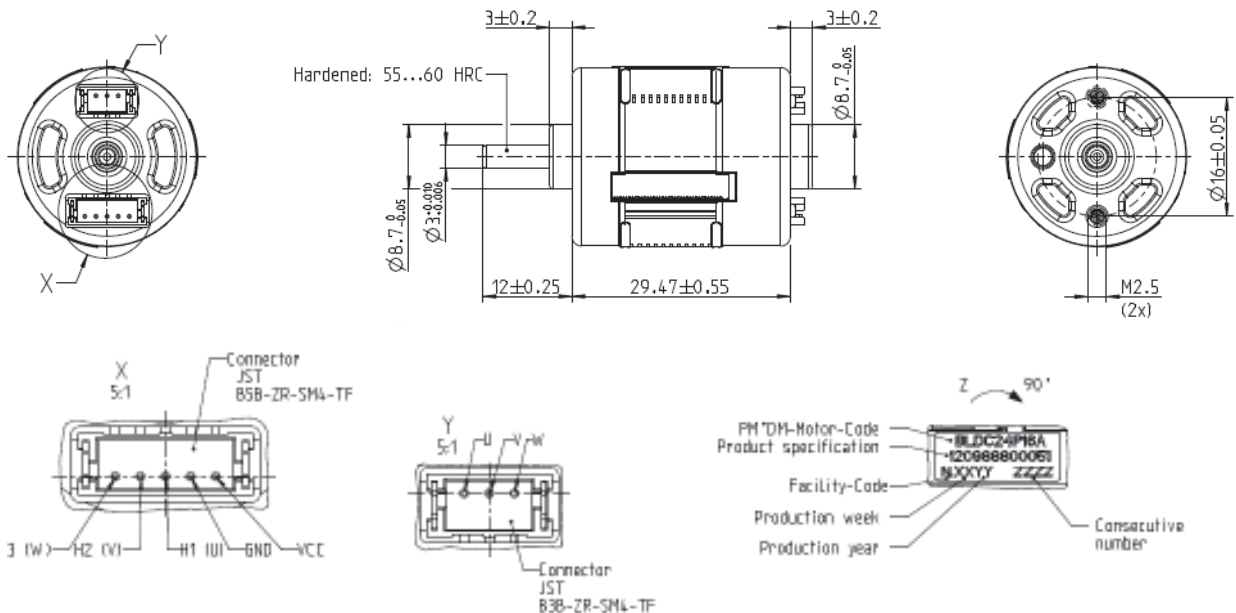


Features

- High power-to-volume ratio
- High efficiency at duty point
- High reliability
- With or without integrated drive

Typical Applications

- Pump drives
- Automation



Stand Dec 2010

PM DM GmbH
 Auf Herdenen 10
 D-78052 Villingen-Schwenningen
 Tel.: +49 (0) 7721 / 997-0

<http://www.pmdm.de>
 Mail: info@pmdm.de

PM DM
 Precision Motors Deutsche Minebea GmbH