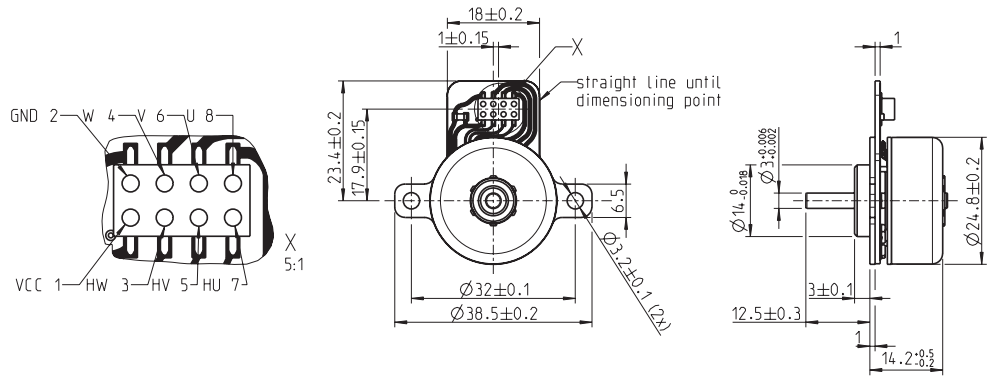


BLDC 25-OR



General Specification

- Insulation class F
- Housing protection IP20
- Operating temperature – 20 ° C ... + 85°C
- 2 NMB ballbearings for long lifetime
- Max. radial load 3 N (8mm from flange)
- Max. axial load 4 N

Features

- Excellent power to volume ratio
- Flat construction motor
- Low cogging torque
- Position sensor system (Hall IC's)

NMB-Partnumber		BLDC25-OR-P6A 12V 99.1.015	BLDC25-OR-P6A 24V 99.1.015
Rated Voltage	[V]	12	24
Rated Speed	[rpm]	2020	3800
Continuous Power	[W]	1.8	3.3
Rated Torque	[mNm]	8.3	8.3
Continous Stall Torque	[mNm]	8.8	8.8
Efficiency at Rated Speed	[%]	54	71
Current at Rated Speed	[A]	0.28	0.26
No Load Speed	[rpm]	3650	5500
Resistance per Phase *1)	[Ω]	12.6	12.6
Inductance per Phase	[mH]	4	4
Torque Constant	[mNm/A]	29	29
Speed Constant	[rpm/V]	304	229
Mech. Time Constant	[ms]	18	18
Rotor Inertia	[gcm ²]	13	13
Number of Poles		12	12
Weight	[g]	40	40
Thermal Resistance *2)	[K/W]	23	23

Dwg.No.: 120888800036A