

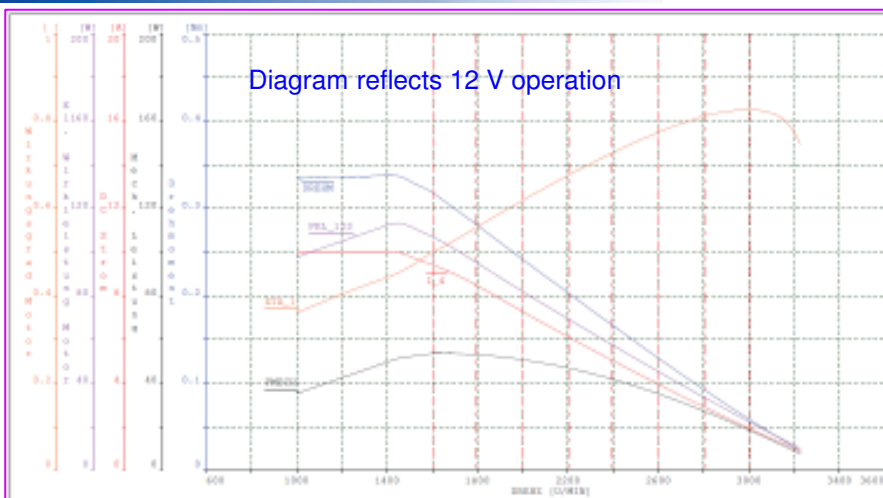
BLDC 36P35A 27.1.045D

Brushless 3-Phase DC Motor



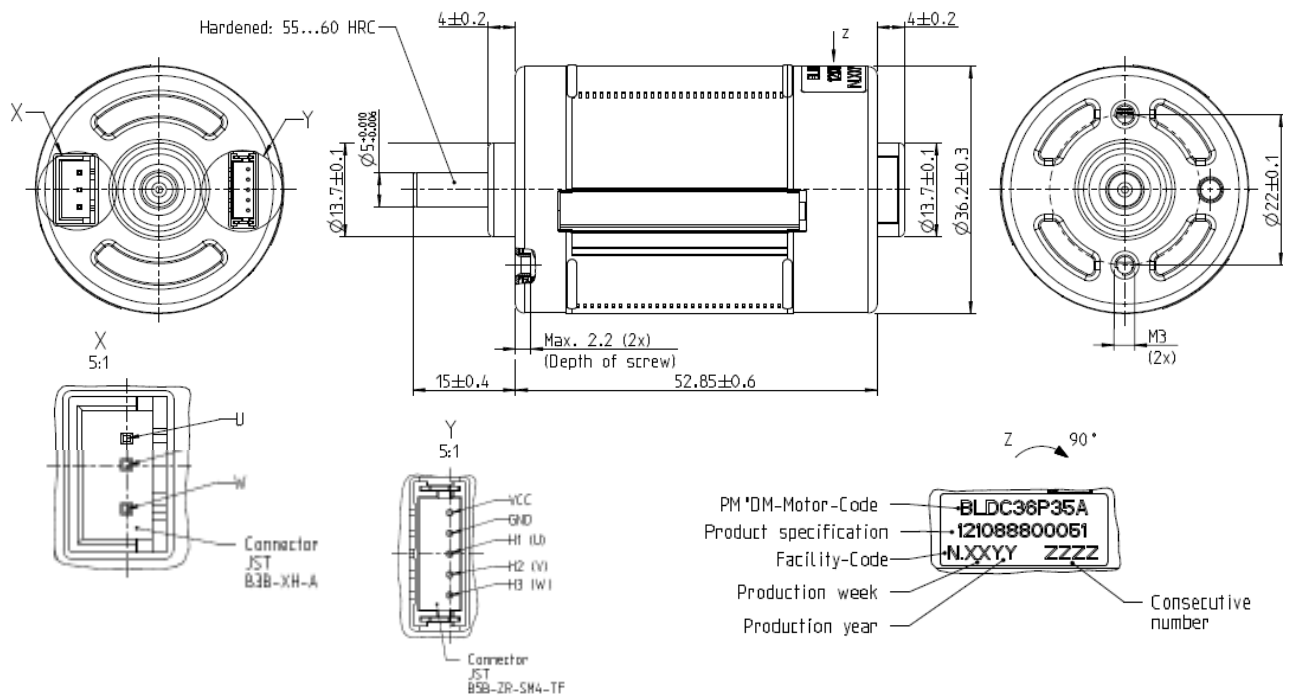
Rated Voltage	12	24	V
No Load Speed	3.350	6.750	rpm
Rated Speed	2.760	6.250	rpm
Cont. Power	29	63	W
Rated Torque	100	97	mNm
Cont. Stall Torque			
Current at rated Speed	3,5	3,2	A
Torque Constant		32,7	mNm/A
Efficiency at Duty Point	83	86	%
Weight		0,25	kg
Rotor Inertia			gcm ²
Oper. Temp. Range	-20 / + 45		°C
Max. Temp. Rise	70		K

Motor Code: 121088800051



Features
 High power-to-volume ratio
 High efficiency at duty point
 High reliability
 With or without integrated drive

Typical Applications
 Pump drives
 Automation



Stand Dec 2010

PM DM GmbH
 Auf Herdenen 10
 D-78052 Villingen-Schwenningen
 Tel.: +49 (0) 7721 / 997-0

<http://www.pmdm.de>
 Mail: info@pmdm.de

PM DM
 Precision Motors Deutsche Minebea GmbH

