

BLDC 40P20F 24P2.045D

Brushless 3-Phase DC Motor



Rated Voltage	18	V
No Load Speed	17.700	rpm
Rated Speed	12.230	rpm
Cont. Power	191	W
Rated Torque	149	mNm
Cont. Stall Torque		
Current at rated Speed	14,5	A
Torque Constant	9,3	mNm/A
Efficiency at Duty Point	88	%
Weight	0,28	kg
Rotor Inertia	32	gcm ²
Number of Poles	8	
Oper. Temp. Range	-20 / + 45	°C
Max. Temp. Rise	70 K	@ +45°C

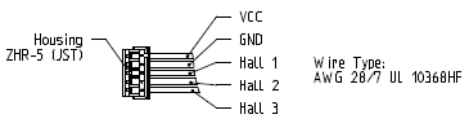
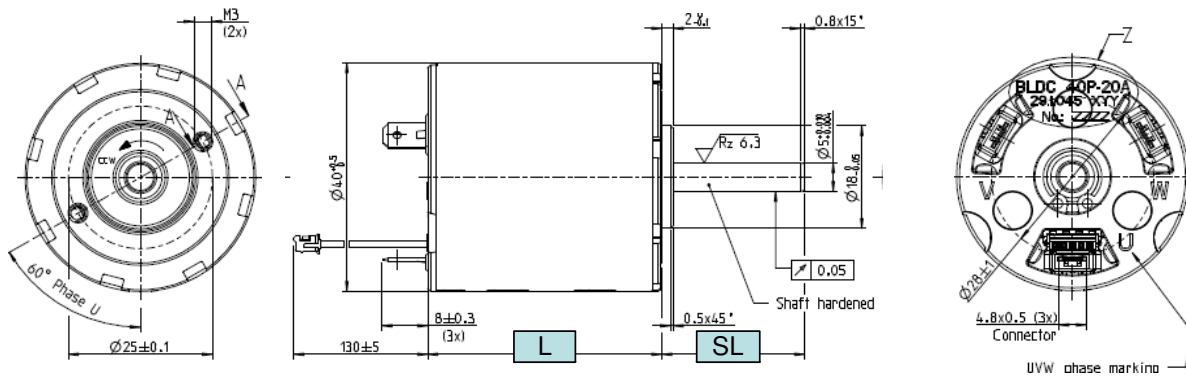
Features

High power-to-volume ratio
High efficiency at duty point
High reliability

Typical Applications

Pump drives
Factory Automation
Office Automation

Motor Code: 121088800056



Hall-Sensor-Connector

Wire Type:
AWG 28/7 UL 10368HF

Model	Motor length "L" / mm	Shaft length "SL" / mm
BLDC40x10A	31	20
BLDC40x20A	41	25
BLDC40x30A	51	25
BLDC40x40A	61	25
BLDC40x20F	48	25
BLDC40x30F	58	25

