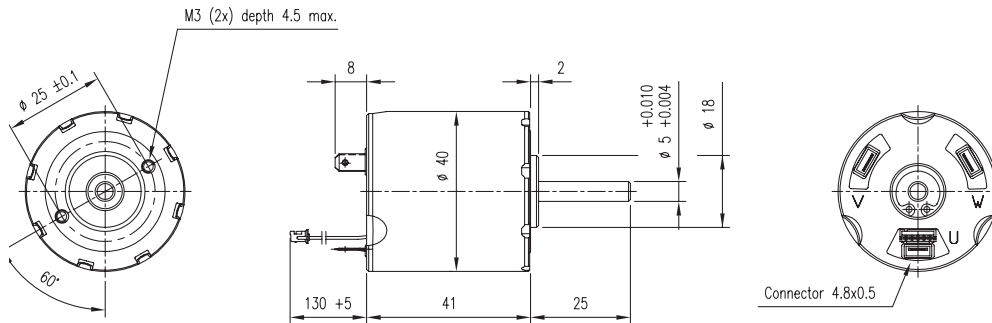


BLDC40P20A BLDC40S20A



General Specification

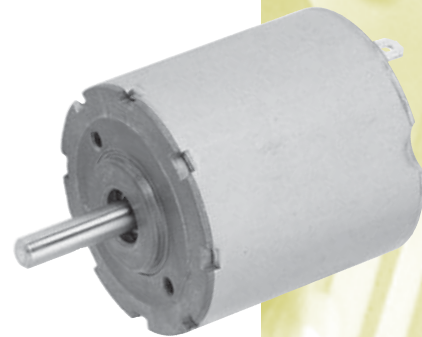
Insulation class F
Housing protection IP20
Operating temperature – 20 ° C ... + 70°C
2 NMB ballbearings for long lifetime
Max. radial load 80 N (5mm from flange)
Max. axial load 50 N

Features

Low cogging torque
High power to volume ratio
High efficiency at operating point
High reliability

Options

Driver



NMB-Partnumber		BLDC40P20A-24V 40.1.040	BLDC40S20A-24V 39.1.040D
Rated Voltage	[V]	24	24
Rated Speed	[rpm]	3000	2700
Continuous Power	[W]	31	40.6
Rated Torque *1)	[mNm]	100	143
Continuous Stall Torque	[mNm]	121	250
Efficiency at Rated Speed	[%]	82.7	84.4
Current at Rated Speed	[A]	0.39	2.0
No Load Speed	[rpm]	3300	3300
Resistance per Phase *2)	[Ω]	2.65	0.87
Inductance per Phase	[mH]	2.6	0.8
Torque Constant	[mNm/A]	65	68
Speed Constant	[rpm/V]	141.9	140.4
Mech. Time Constant	[ms]	1.6	0.68
Rotor Inertia	[gcm ²]	28	36
Number of Poles		14	16
Weight	[g]	220	235
Thermal Resistance *3) *4)	[K/W]	7	7

*1) motor torque at 70K temperature rising of winding

*2) resistance phase to phase at 20°C

*3) thermal resistance winding to ambient

*4) motor is mounted on a sheet metal 210 mm x 40 mm x 0.8 mm